

Roller Bed ZT-150

Our ARTwelding Roller Bed model ZT-150 with a loading capacity of 150 t was developed for precise positioning of cylindrical workpieces. The roller position of the turning device is automatically adjusted to the workpiece diameter.

The stable base and the high weight make it unnecessary to fix it to the floor. A set consists of a drive unit and a follower unit.

The wheels of the Roller Bed are PU coated. This coating prevents damage to your workpieces. The use of heavy-duty ball bearings ensures a long service life. Two-stage gearboxes are used to ensure high ratios from the engine to the drive wheel. This ensures a constant and even rotational movement. The gearboxes are designed for a long service life.

The drive unit is equipped with asynchronous motors. The speed can be continuously regulated using a frequency converter, and the feed speed is displayed on the associated remote control. Also included in the scope of delivery is a foot switch, which can be used to determine the direction of rotation. This has the advantage that your hands are free when editing. Bayonet locks are installed in the control cabinet for quick assembly and disassembly.



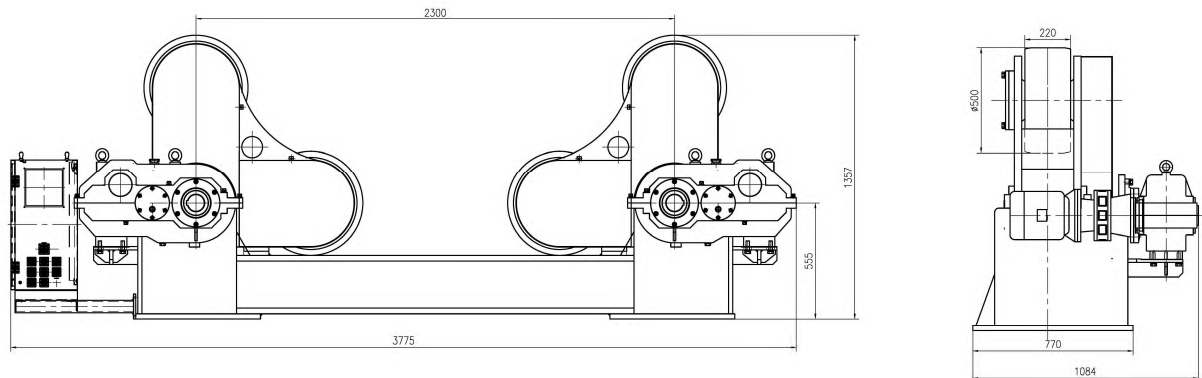
Technical specifications

Load capacity (t): 150
 Control: wired remote control, foot switch, speed display
 Workpiece diameter (mm): 1200–6000
 Dimensions of rolls (mm): Ø 500x220
 Rotary motor (kW): 2x3.0
 Linear speed (mm/min): 100–1000
 (other speed ranges on request)
 Input voltage: 400V / 3-Phasen / 16 A / 50 Hz
 Weight (kg): 5400
 Undercarriage: on request



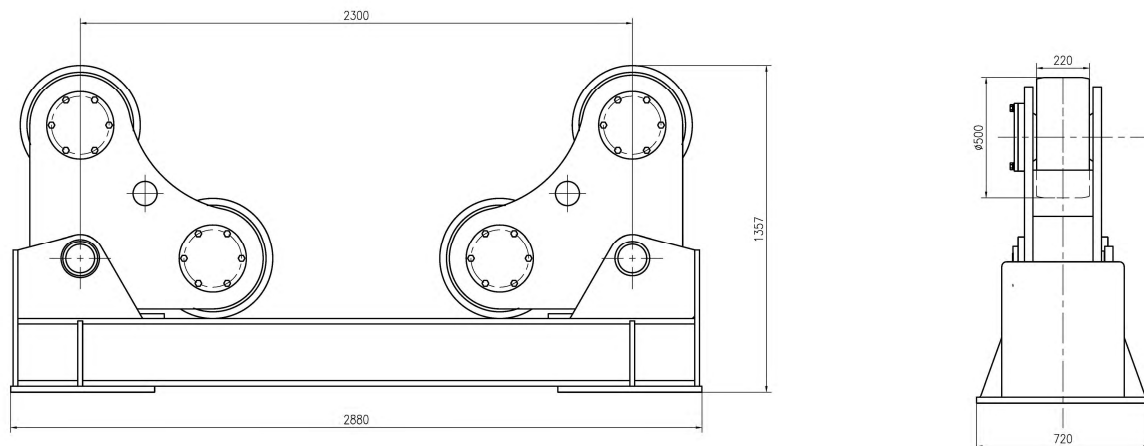
Dimensions: driver unit

H max. height	1357 mm
W max. width	3775 mm
T max. depth	1084 mm



Dimensions: idler unit

H max. height	1357 mm
W max. width	2880 mm
T max. depth	720 mm



We reserve the right to make changes to the system. These don't be to the detriment of the customer.