

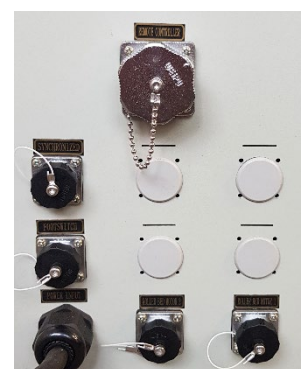
## Roller Bed KT-100

Our ARTwelding Roller Bed model KT-100 with a loading capacity of 100 t was developed for precise positioning of cylindrical workpieces.

The stable base and the high weight make it unnecessary to fix it to the floor. A set consists of a driver unit and a idler unit.

The wheels of the container rotating device are PU coated. This coating prevents damage to your workpieces. The use of heavy-duty ball bearings ensures a long service life. Two-stage gearboxes are used to ensure high ratios from the engine to the drive wheel. This ensures a constant and even rotational movement. The gearboxes are designed for a long service life.

The driver unit is equipped with asynchronous motors. The speed can be continuously regulated using a frequency converter, and the feed speed is displayed on the associated remote control. Also included in the scope of delivery is a foot switch, which can be used to determine the direction of rotation. This has the advantage that your hands are free when editing. Bayonet locks are installed in the control cabinet for quick assembly and disassembly.

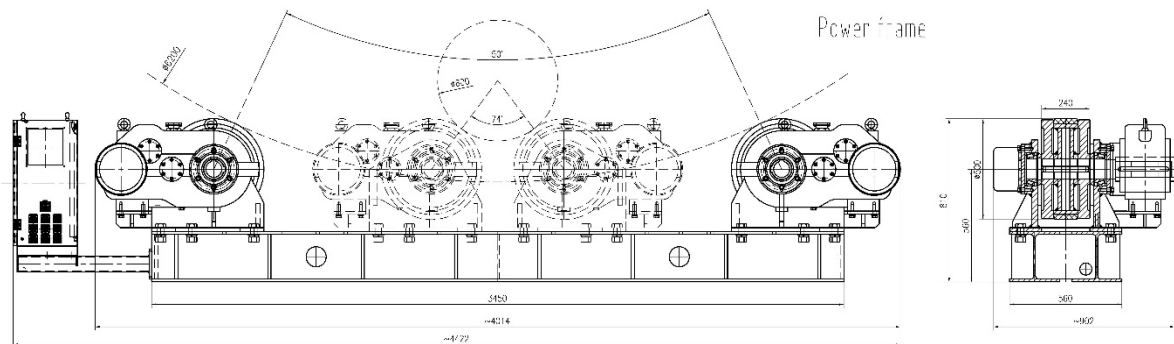


### Technical specifications

Load capacity (t): 100  
 Control: wired remote control, foot switch, speed display  
 Workpiece diameter (mm): 600–6200  
 Dimensions of rolls (mm): Ø 500x240  
 Center to center roller distance (mm): 450–1550  
 Adjustment: hole pattern  
 Rotary motor (kW): 2x2.2  
 Rotation speed (mm/min): 100–1000  
 (other speed on request)  
 Input voltage: 400V / 3-phase / 16 A / 50 Hz  
 Weight (kg): 4800  
 Undercarriage: on request  
 Electrical adjustment: on request

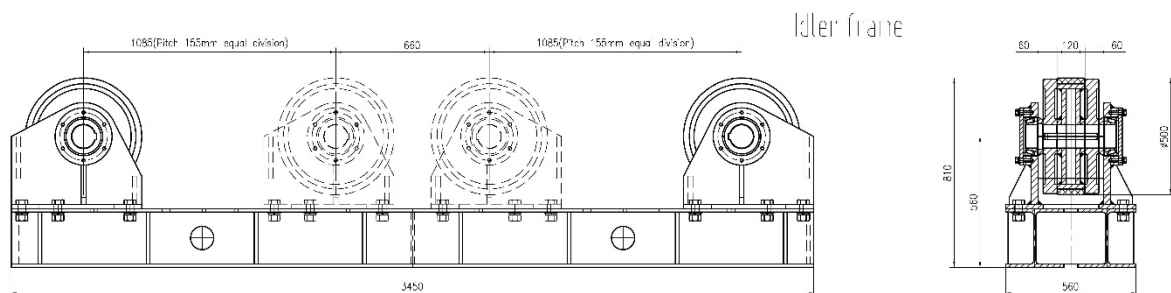
## Dimensions: driver unit

H max. height	<b>810 mm</b>
W max. width	<b>4422 mm</b>
T max. depth	<b>902 mm</b>



## Dimensions: idler unit

H max. height	<b>810 mm</b>
W max. width	<b>3450 mm</b>
T max. depth	<b>560 mm</b>



We reserve the right to make changes to the system. These don't be to the detriment of the customer.