

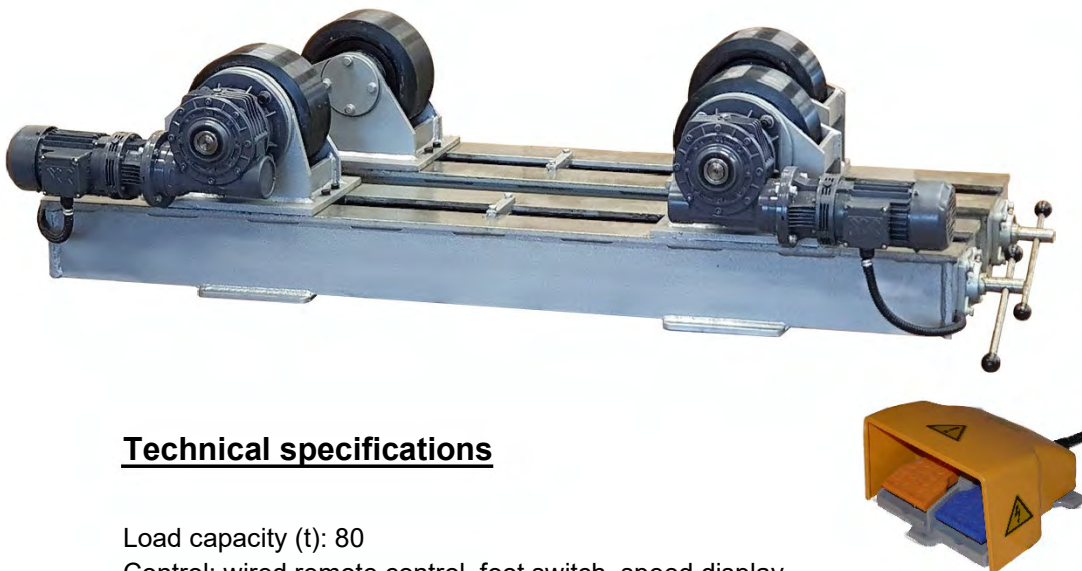
## Roller Bed JT-80

Our ARTwelding Roller Bed model JT-80 with a loading capacity of 80 t was developed for precise positioning of cylindrical workpieces.

The stable base and the high weight make it unnecessary to fix it to the floor. A set consists of a drive unit and a follower unit.

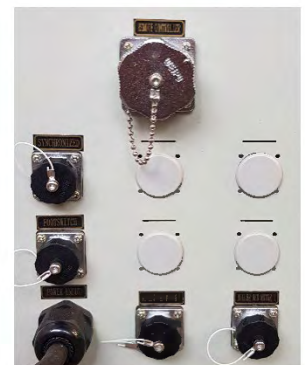
The wheels of the Roller Bed are PU coated. This coating prevents damage to your workpieces. The use of heavy-duty ball bearings ensures a long service life. Two-stage gearboxes are used to ensure high ratios from the engine to the drive wheel. This ensures a constant and even rotational movement. The gearboxes are designed for a long service life.

The drive unit is equipped with asynchronous motors. The speed can be continuously regulated using a frequency converter, and the feed speed is displayed on the associated remote control. Also included in the scope of delivery is a foot switch, which can be used to determine the direction of rotation. This has the advantage that your hands are free when editing. Bayonet locks are installed in the control cabinet for quick assembly and disassembly.



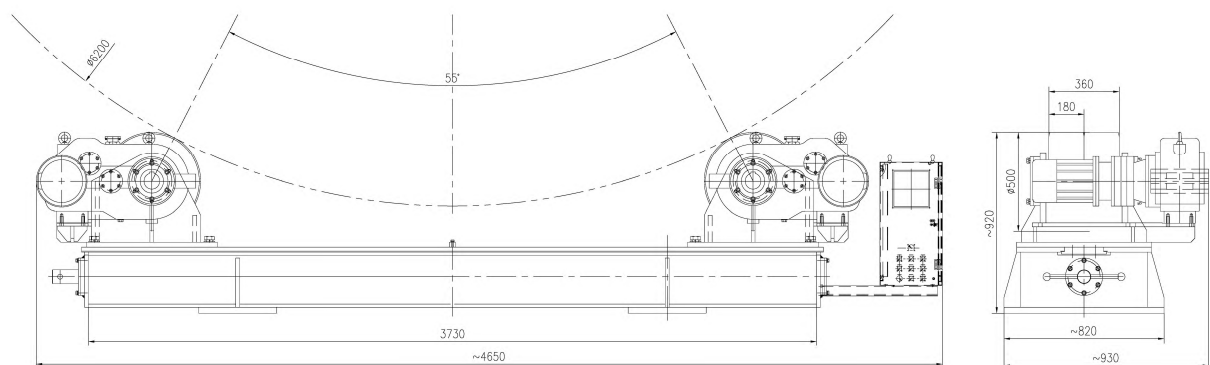
### Technical specifications

- Load capacity (t): 80
- Control: wired remote control, foot switch, speed display
- Workpiece diameter (mm): 600–6200
- Dimensions of rolls (mm): Ø 500x240
- Adjustment: spindle
- Rotary motor (kW): 2x2.2
- Rotation speed (mm/min): 100–1000  
(other speed on request)
- Input voltage: 400V / 3-Phasen / 16 A / 50 Hz
- Weight (kg): 4200
- Undercarriage: on request
- Electrical adjustment: on request



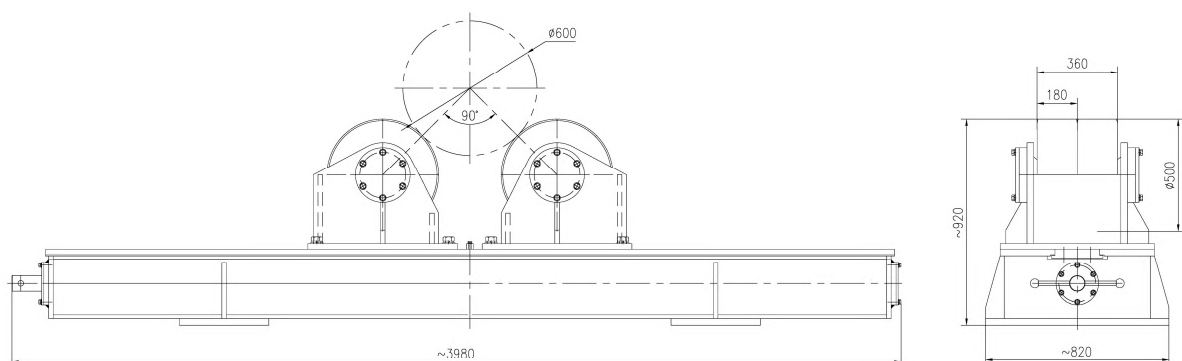
## Dimensions: driver unit

H max. height	<b>920 mm</b>
W max. width	<b>4650 mm</b>
T max. depth	<b>930 mm</b>



## Dimensions: idler unit

H max. height	<b>920 mm</b>
W max. width	<b>3980 mm</b>
T max. depth	<b>820 mm</b>



We reserve the right to make changes to the system. These don't be to the detriment of the customer.