

## Positioner HB-10

ART positioner model HB-10 series: 1 t loading capacity, developed for precise positioning of workpieces through tilt and rotation.

The positioner is equipped with four radial slots for anchor screws and a centering scale on the surface of the turntable. By using heavy-duty tapered bearings, we achieve a consistently smooth rotational movement and a long service life. Driven by DC geared motors with a frequency converter and the easy-to-understand control unit with a low-voltage button, potentiometer and an 8-meter control cable, the speed is infinitely variable.

Tilting from 0–120° is achieved electrically with a 0.33 KW three-phase motor and dynamic gear brake.

The 1000 A rotating ground connection ensures reliable grounding of the welding power source.

Standard table diameter: 1200 mm

Other table diameters on request.



Foot switch

### TECHNICAL SPECIFICATIONS

Load capacity (t): 1  
 Control: 24V circuit with 8m cable  
 Projection (mm): 300  
 Center of gravity distance (mm): 300  
 Speed (rpm): 0.08–0.8 (other speed on request)  
 Tilt speed (rpm): 0.45  
 Tilt Angle (°): 0–120  
 Work table diameter (mm): 1200  
 Input Voltage (V): 400V/3-Phase/32Amp/50Hz  
 Please specify voltage and input power  
 Input power (KVA): 6  
 Weight (kg): 3900



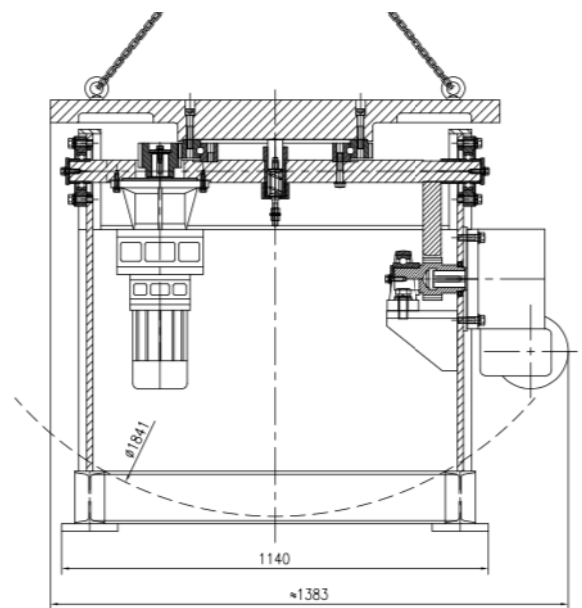
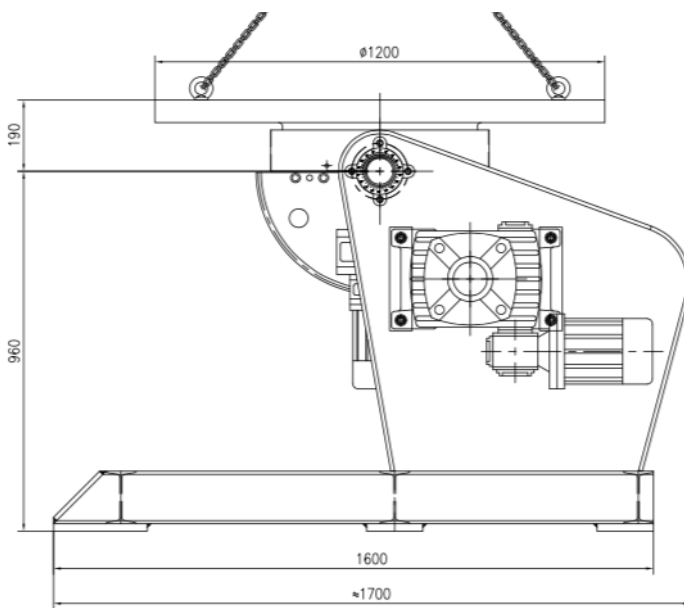
Remote control

## Dimensions: Model HB-10

H max. height	<b>1150 mm</b>
W max. width	<b>1383 mm</b>
L max. length	<b>1702 mm</b>
Ø table diameter	<b>1200 mm</b>

## Options:

Tachometer  
 Footswitch  
 Encoder  
 Three-jaw chuck  
 Wireless radio remote control



Load curve

