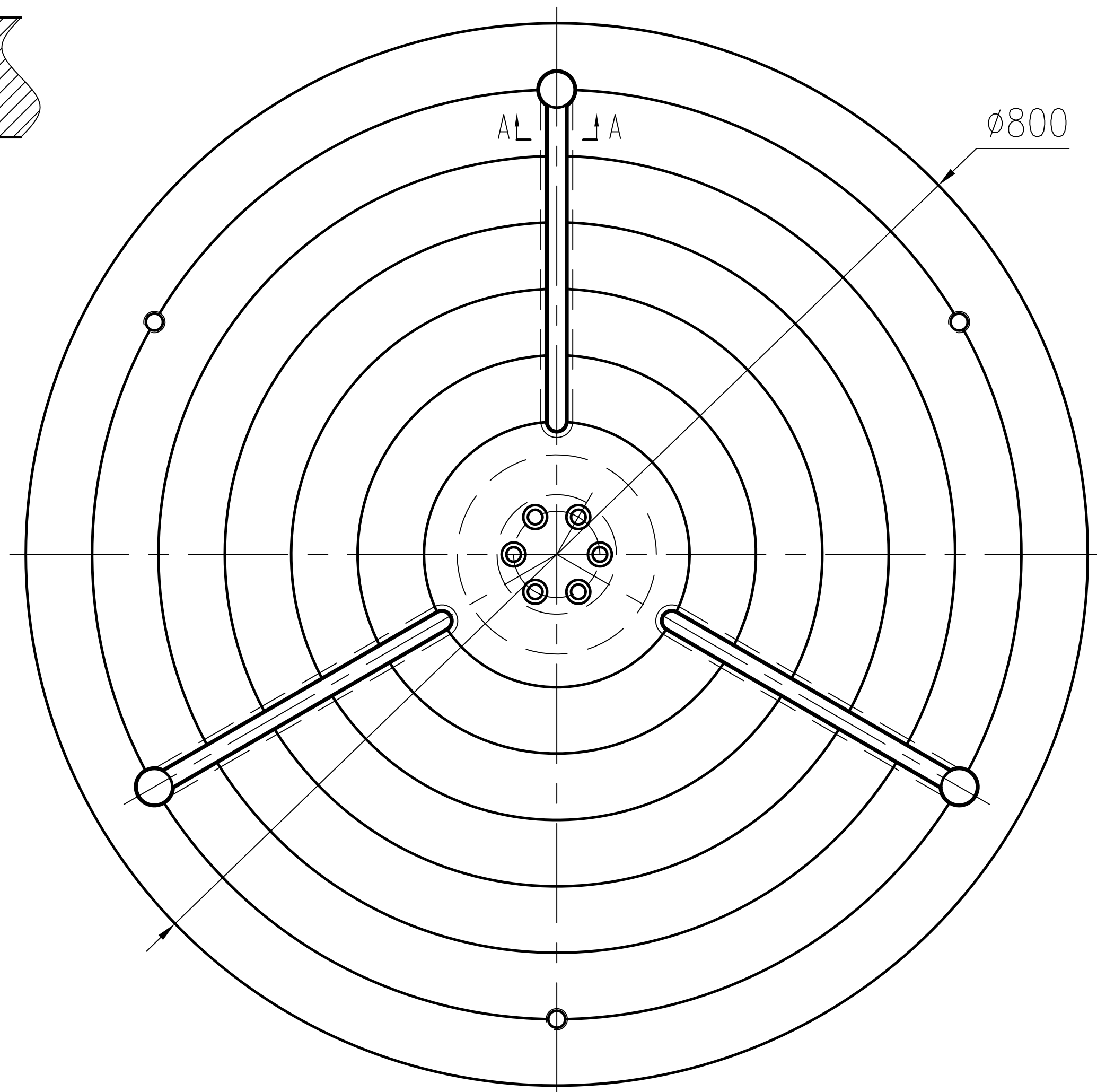
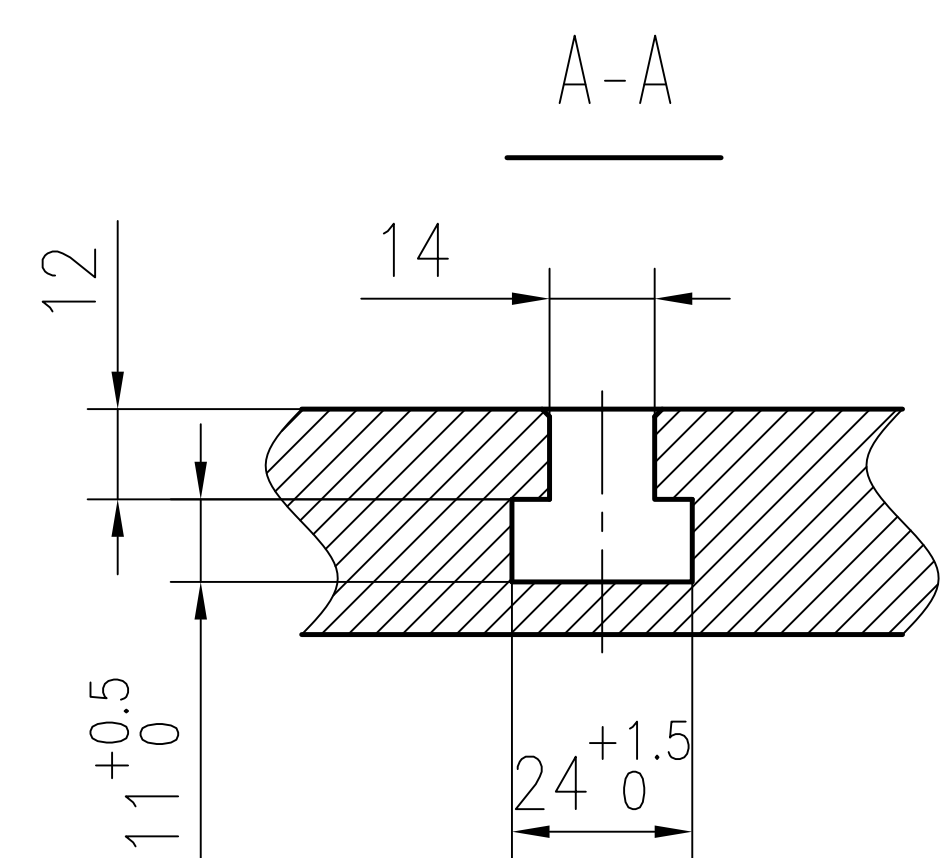
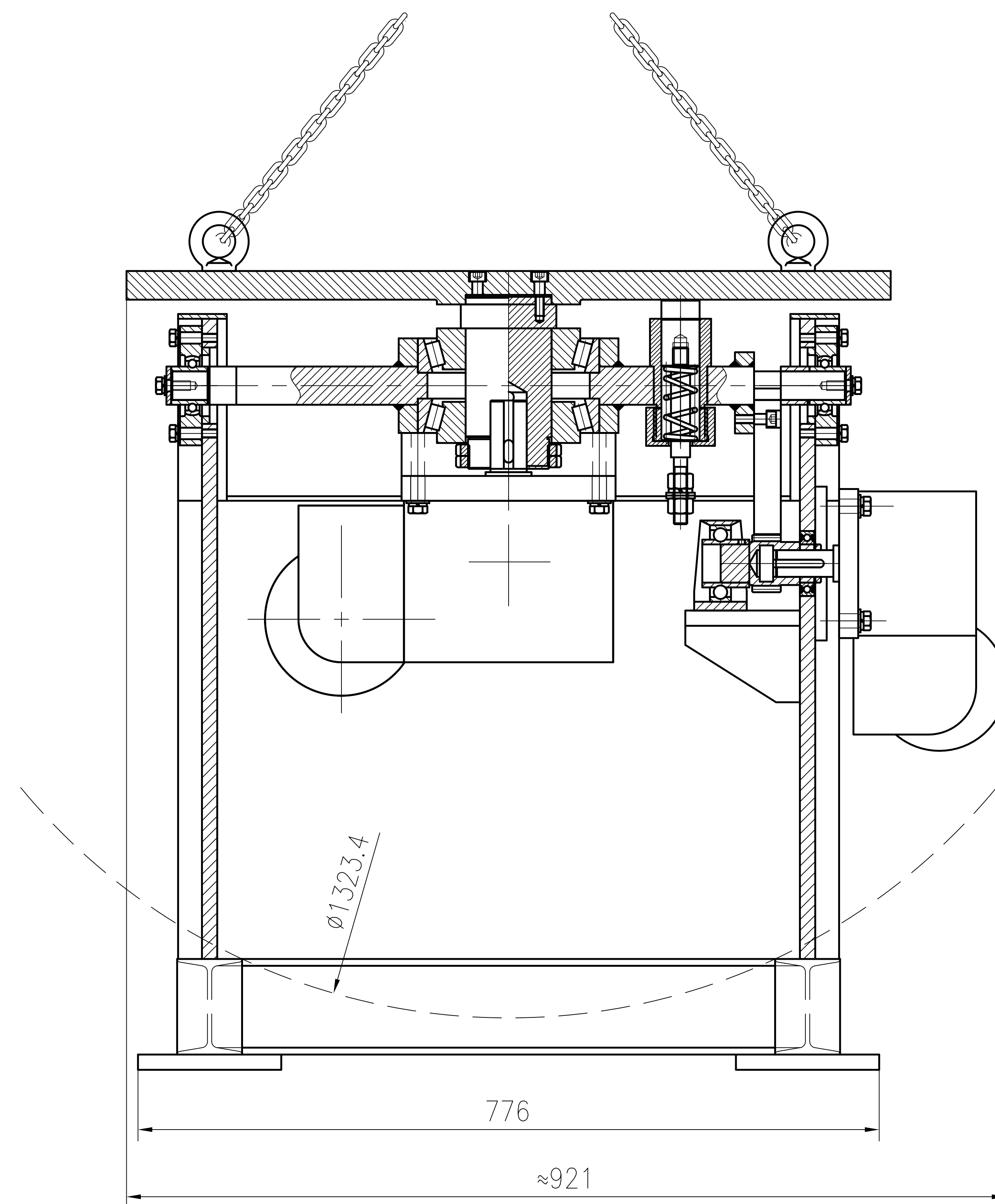
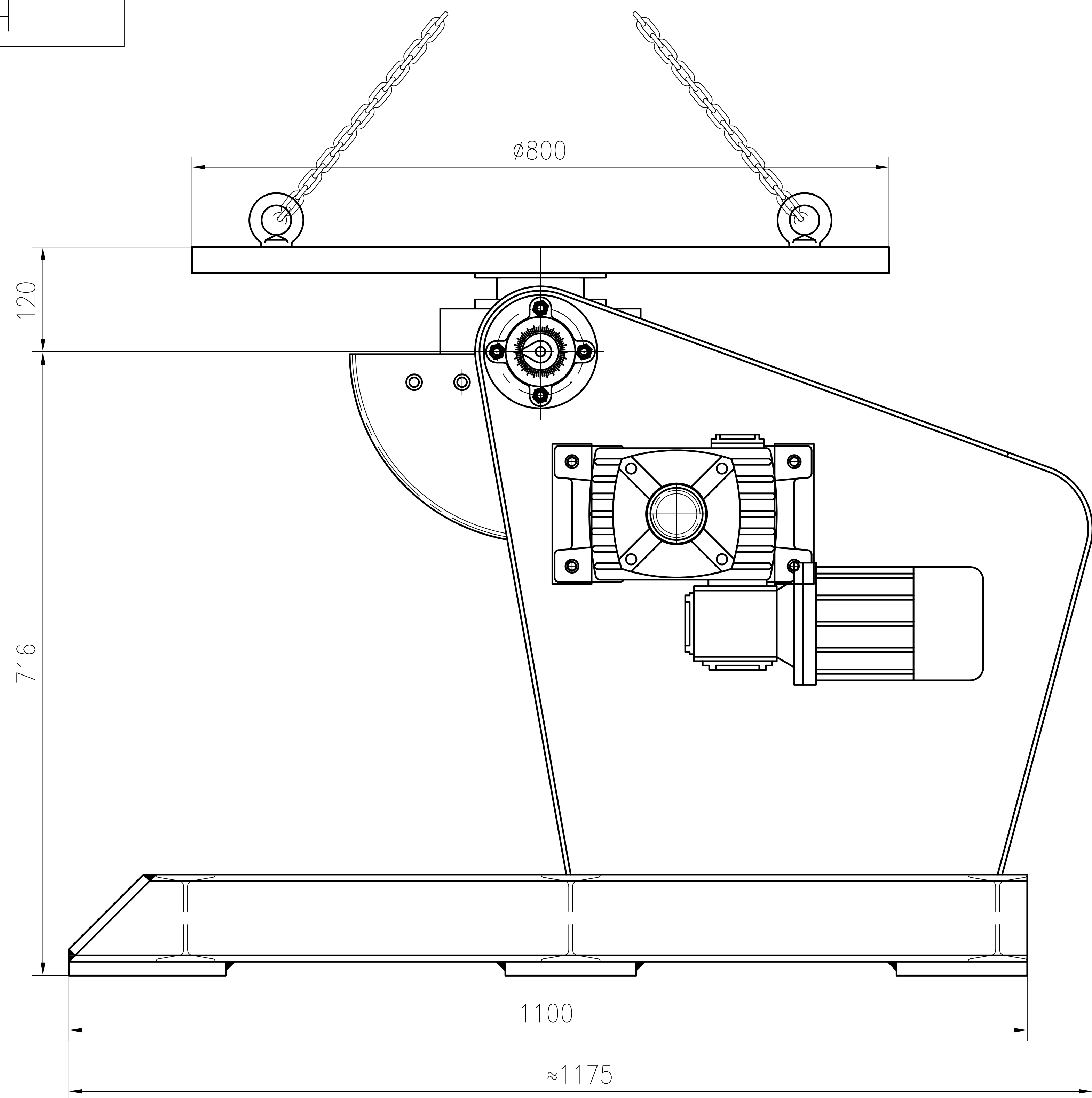
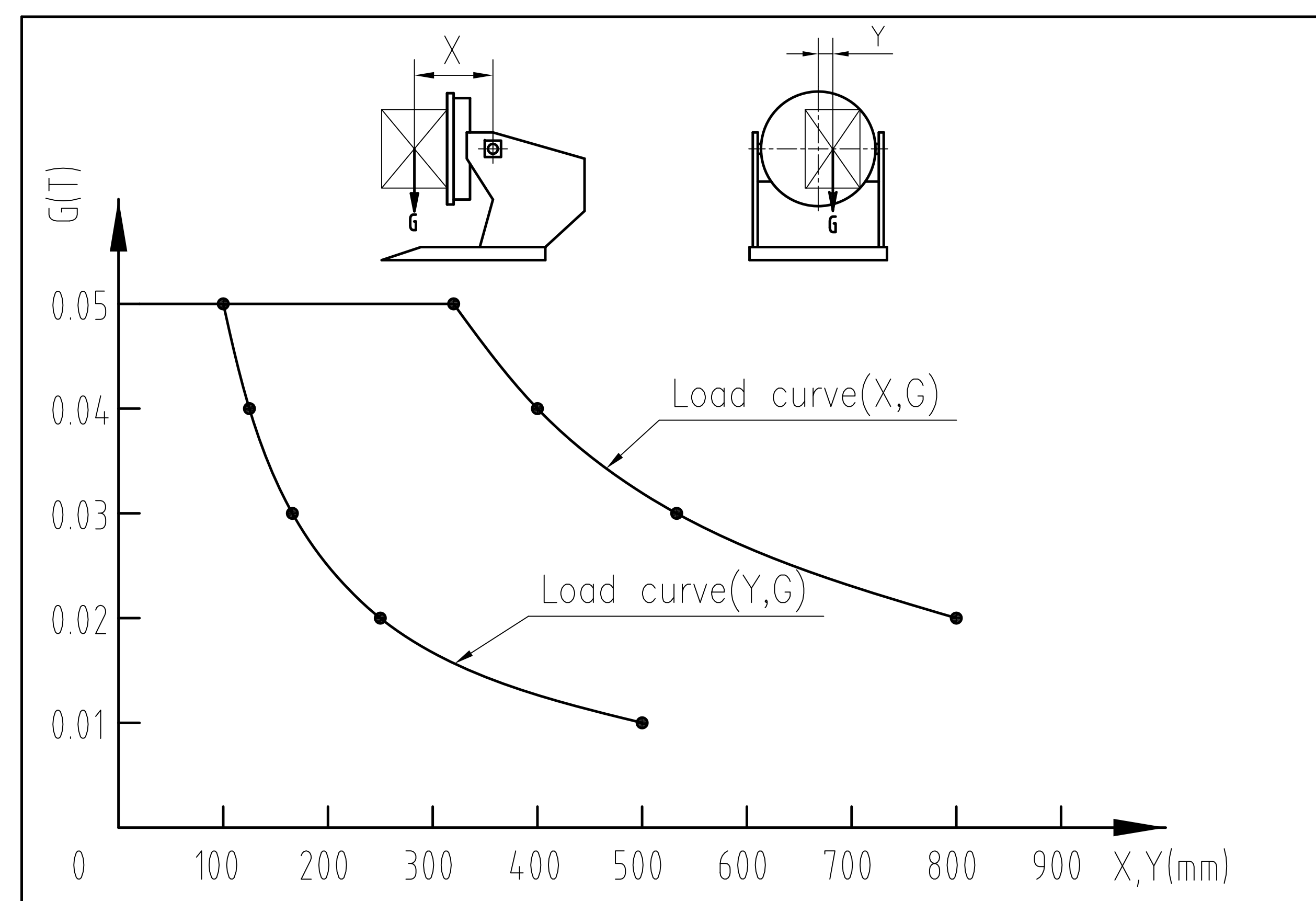


HB-5



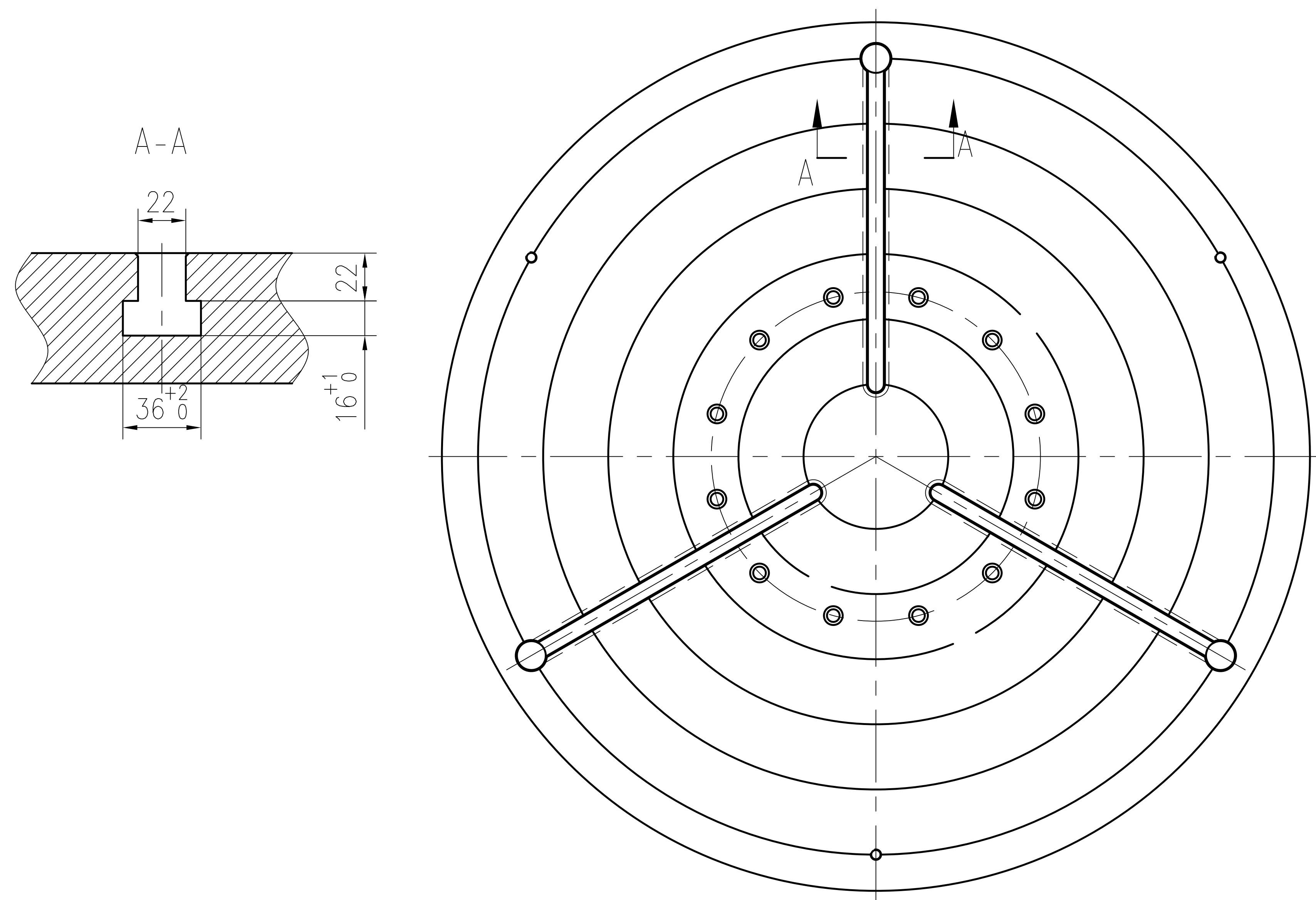
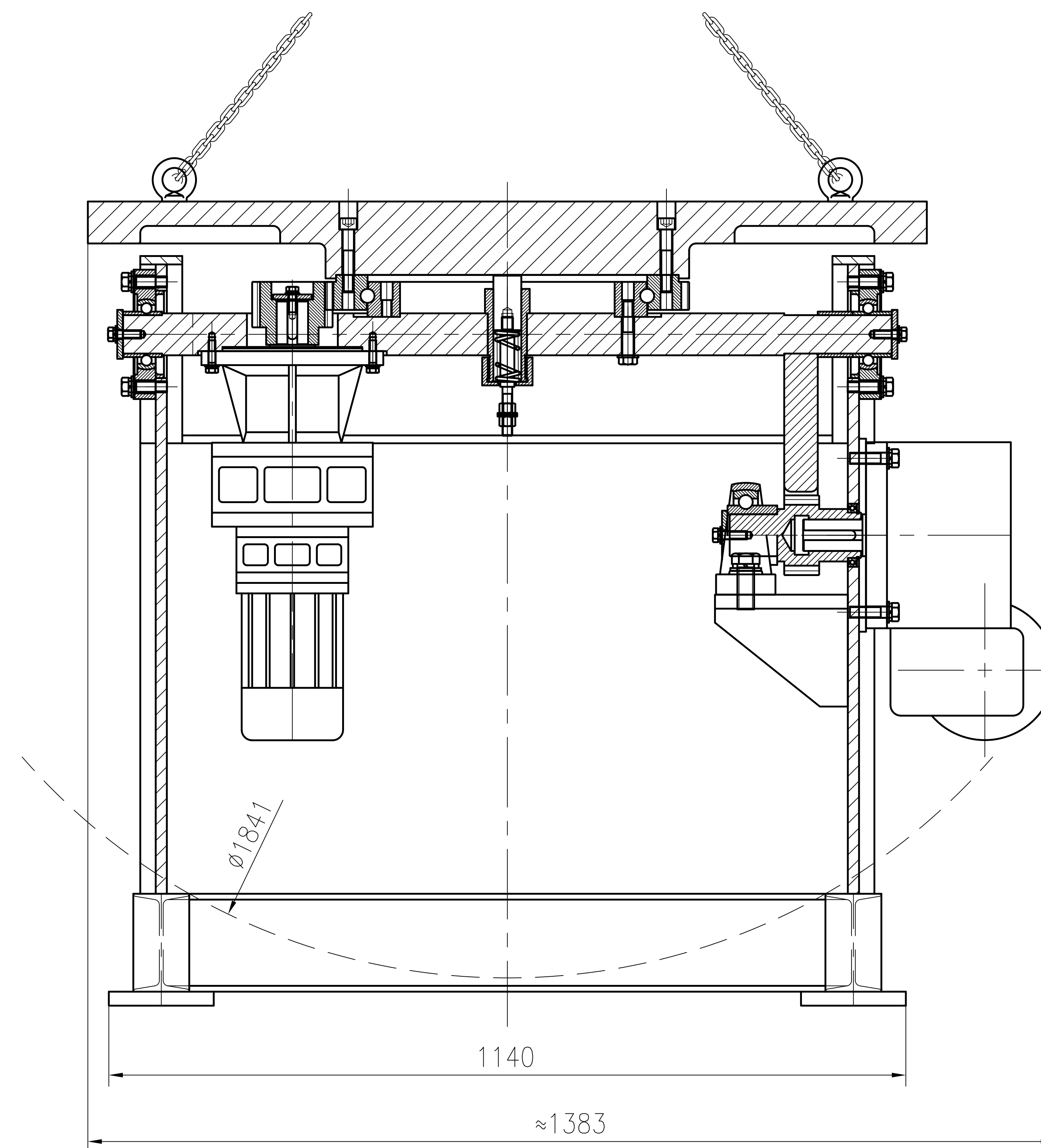
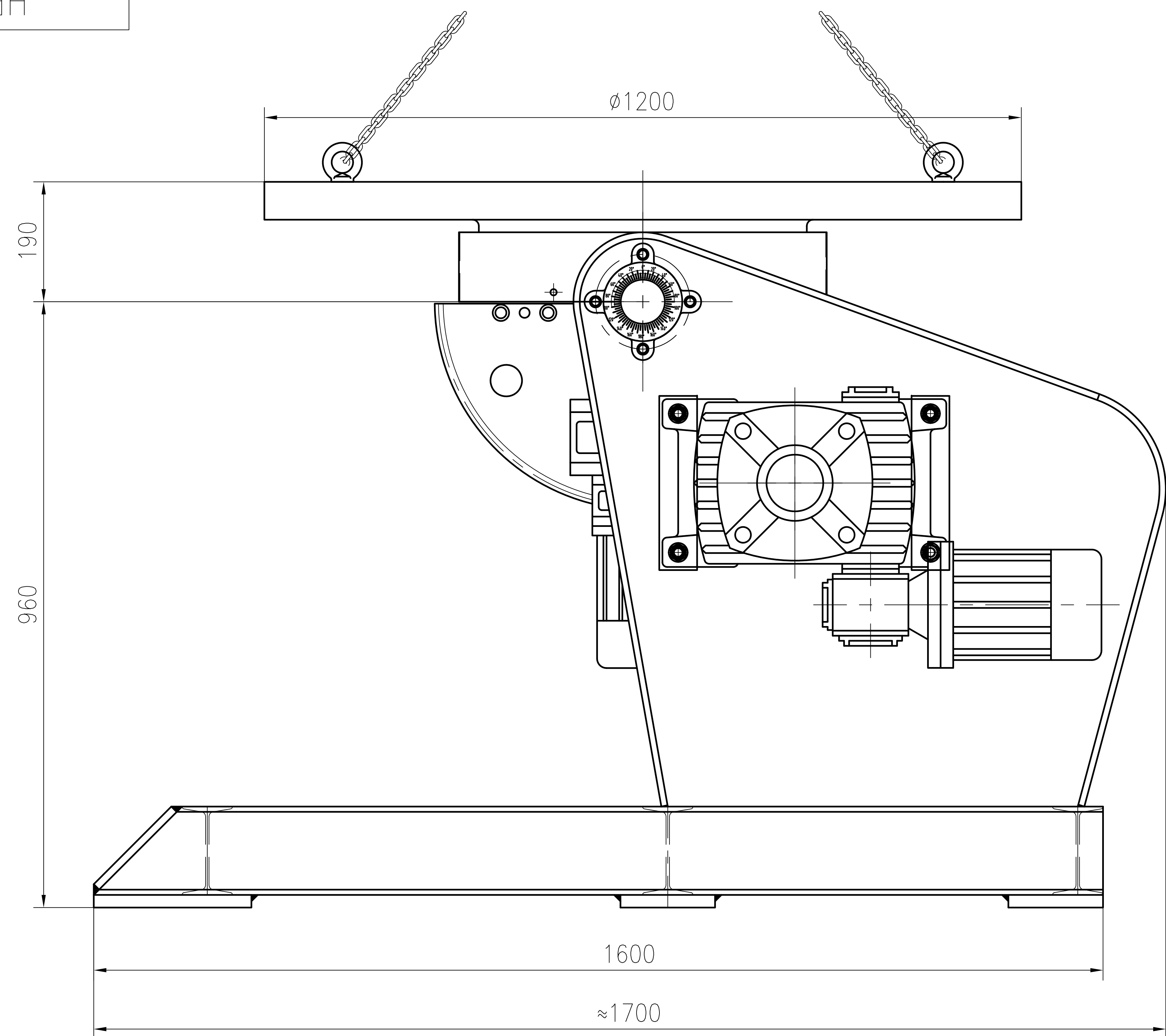
Load curve



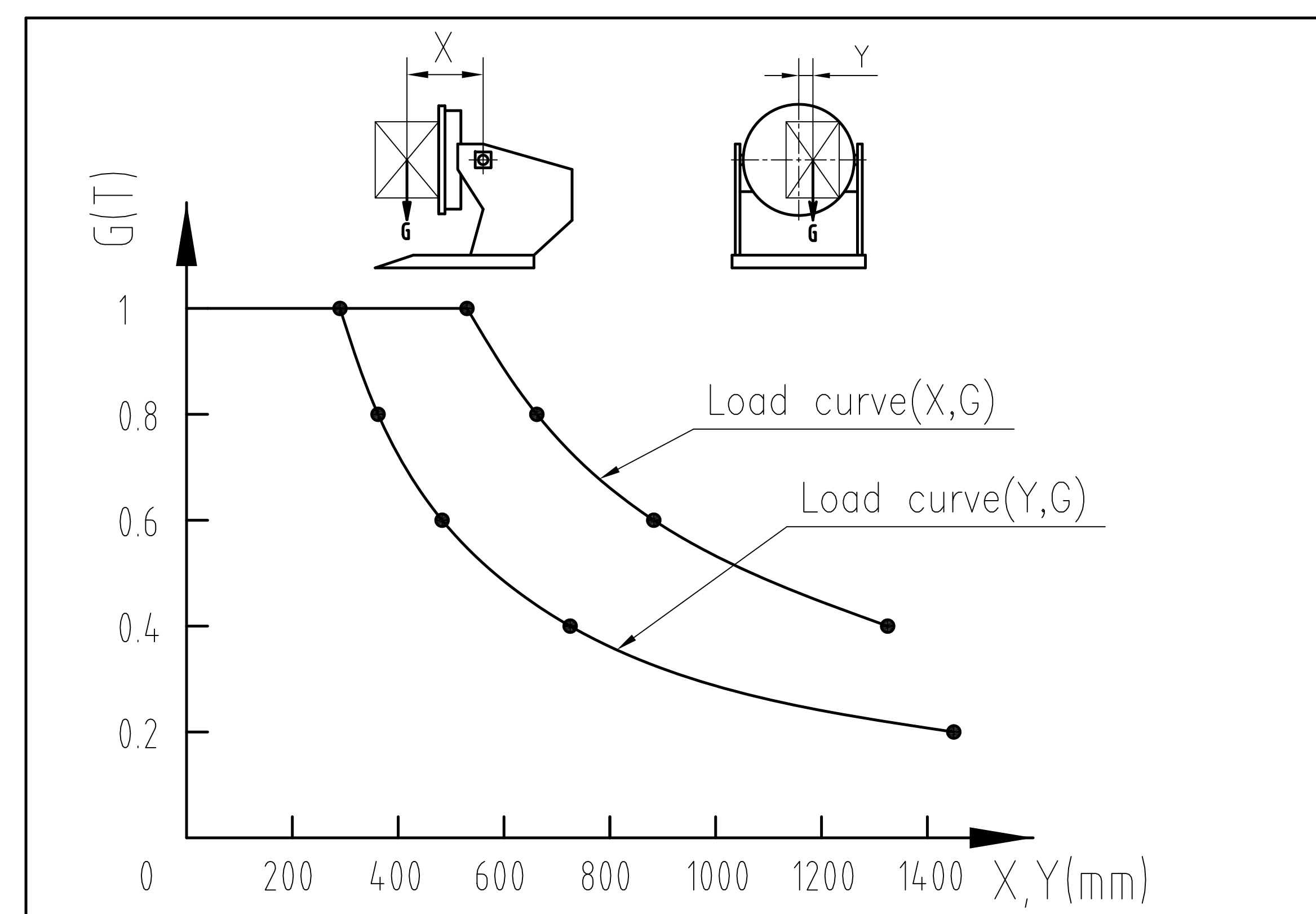
Main technical parameter		
No	Description	Parameter
1	Model	HB-5
2	Max loading	500kg
3	Rotation speed	0.09-0.9rpm
4	Adjust speed mode	VFD
5	Rotation torque	500 N.m
6	Rotation motor	0.37Kw
7	Tilting speed	0.37rpm
8	Tilting torque	1600N.m
9	Tilting angle	100°~-20°
10	Tilting motor	0.18Kw
11	Conductivity	1000A
12	Voltage	According as client
13	Color	According as client

				Assembly drawing				
Mark	Qty	Code	Sign	Date	Mark	Weight	Ratio	HB-5 positioner
Designer			Standard				1:6	
Checker			Date		Total	Page		HB-5

HB-10



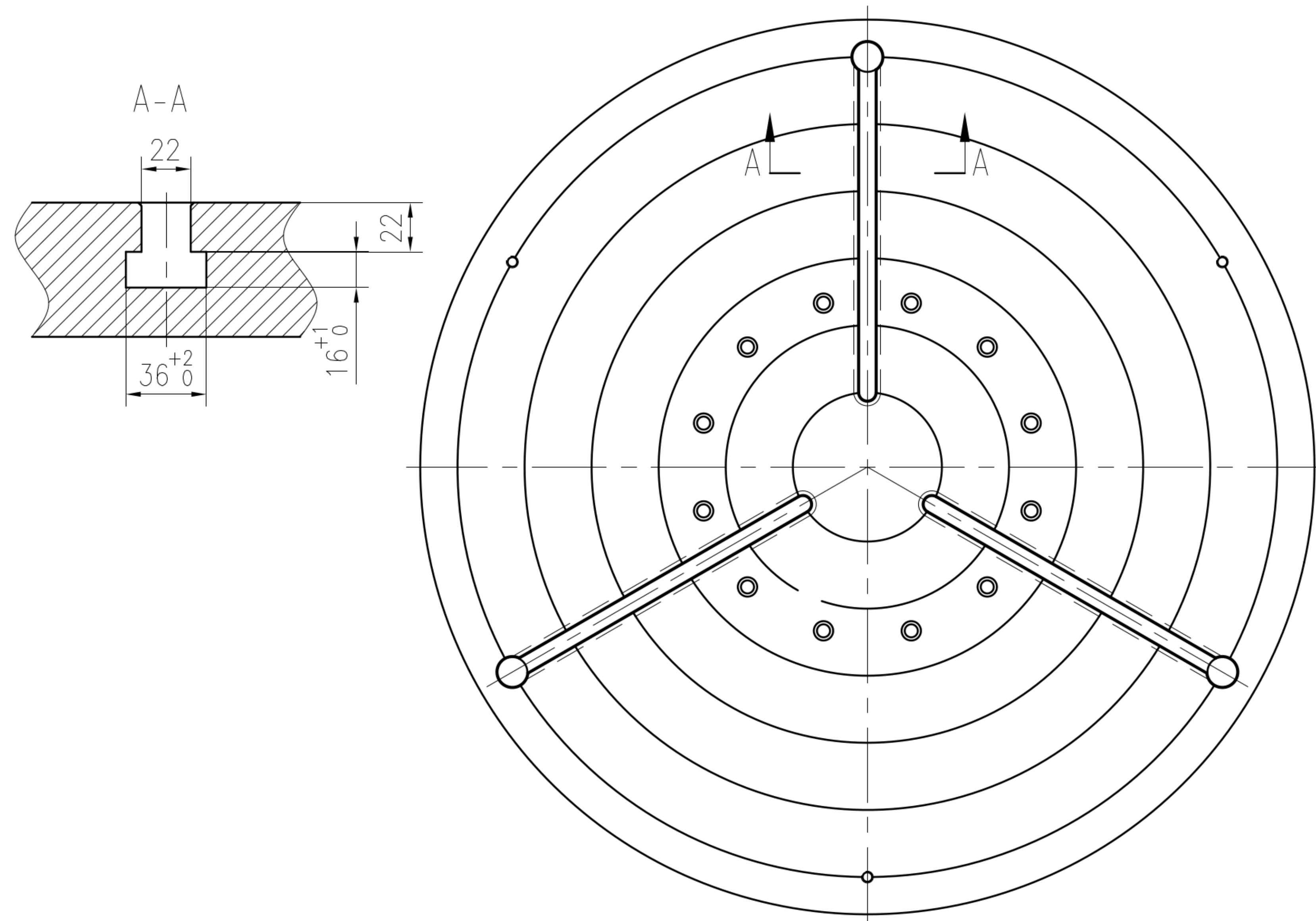
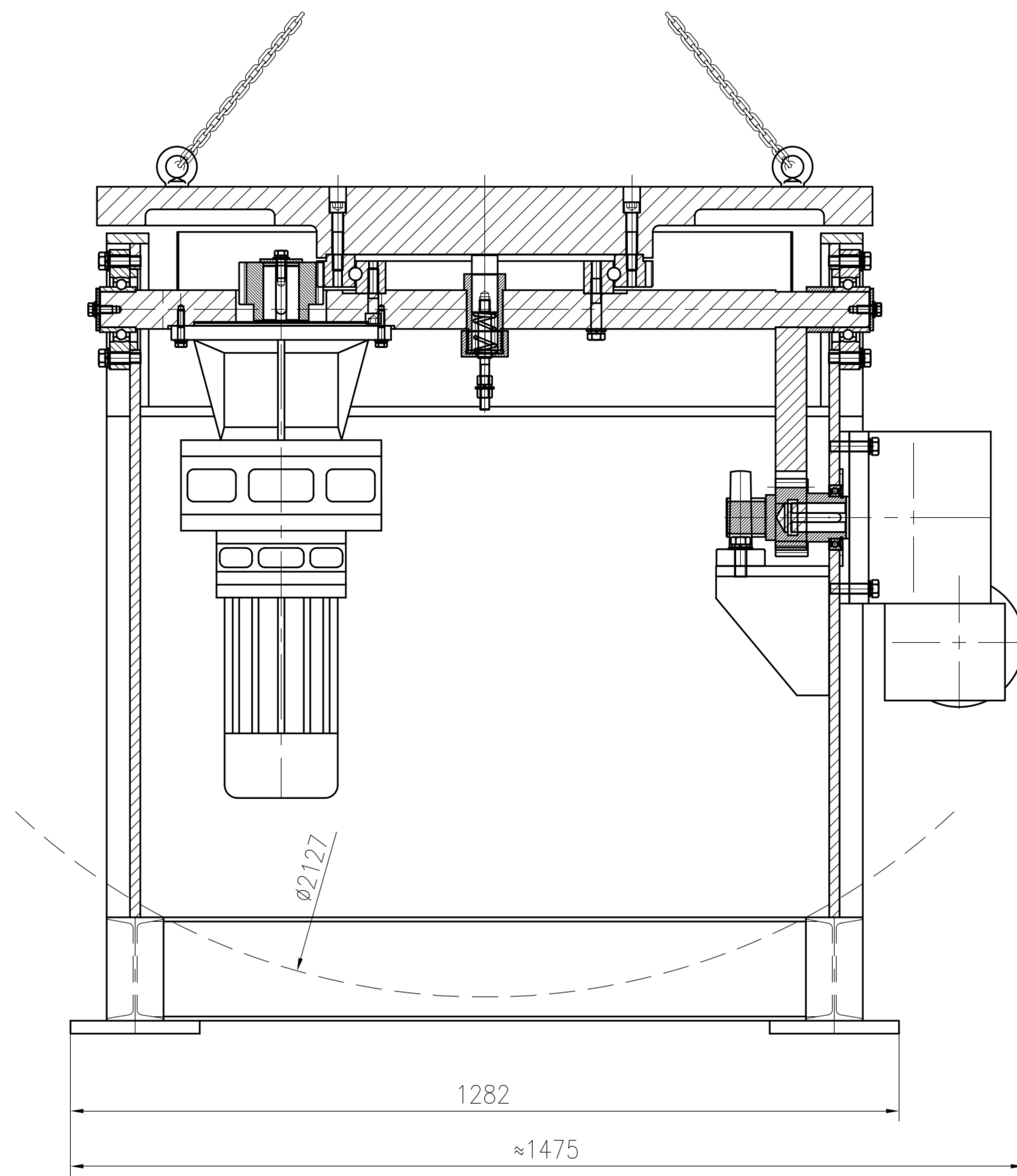
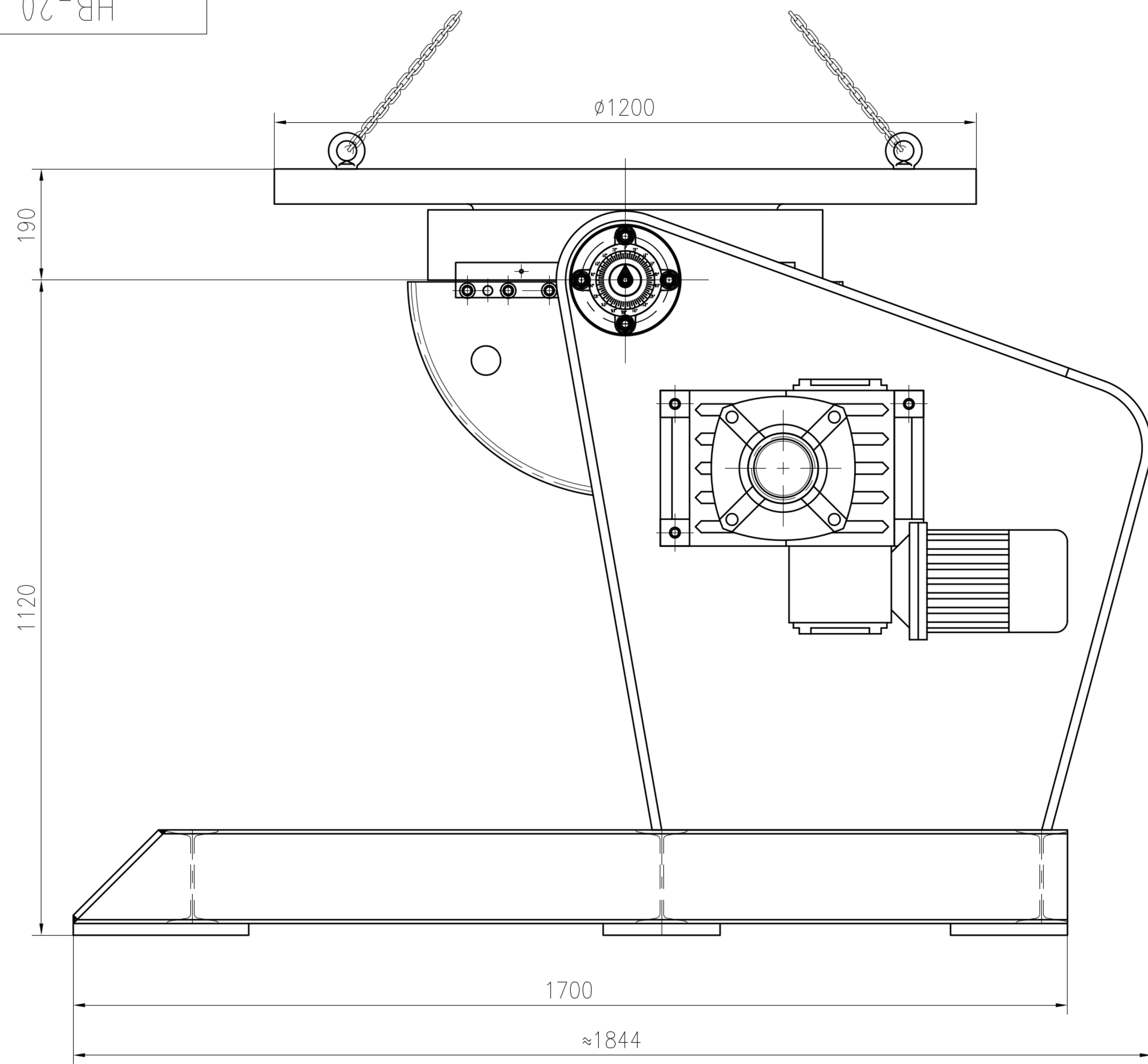
Load curve



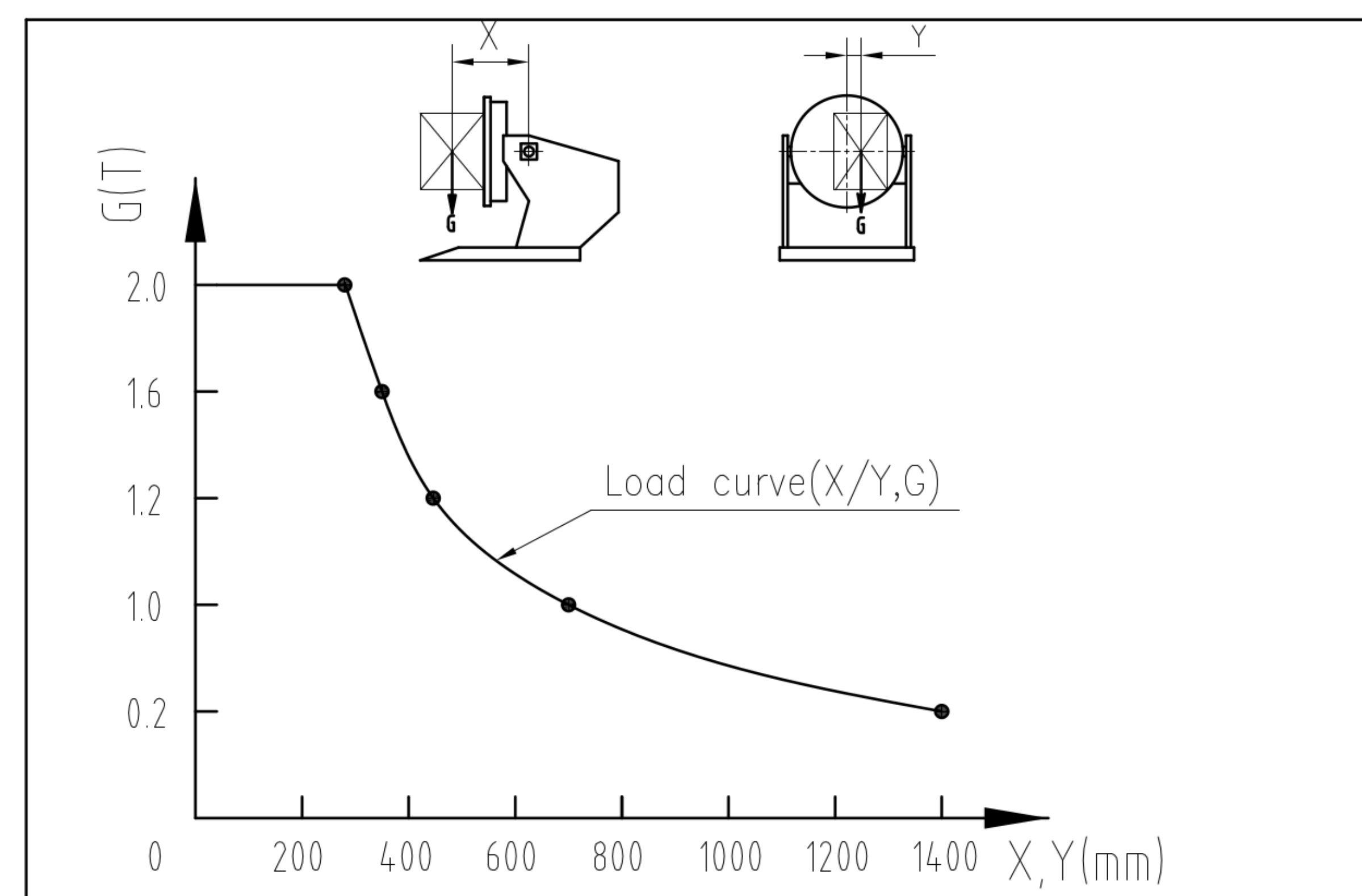
Main technical parameter		
No	Description	Parameter
1	Model	HB-10
2	Max loading	1000kg
3	Rotation speed	0.08-0.8rpm
4	Adjust speed mode	VFD
5	Rotation torque	2900N.m
6	Rotation motor	0.37Kw
7	Tilting speed	0.45rpm
8	Tilting torque	3000N.m
9	Tilting angle	100°~ -20°
10	Tilting motor	0.75Kw
11	Conductivity	1000A
12	Voltage	According as client
13	Color	According as client

				Assembly drawing				
Mark	Qty	Code	Sign	Date	Mark	Weight	Ratio	HB-10 positioner
Designer			Standard				1:8	
Checker			Date		Total	Page		HB-10
Technology								

HB-20



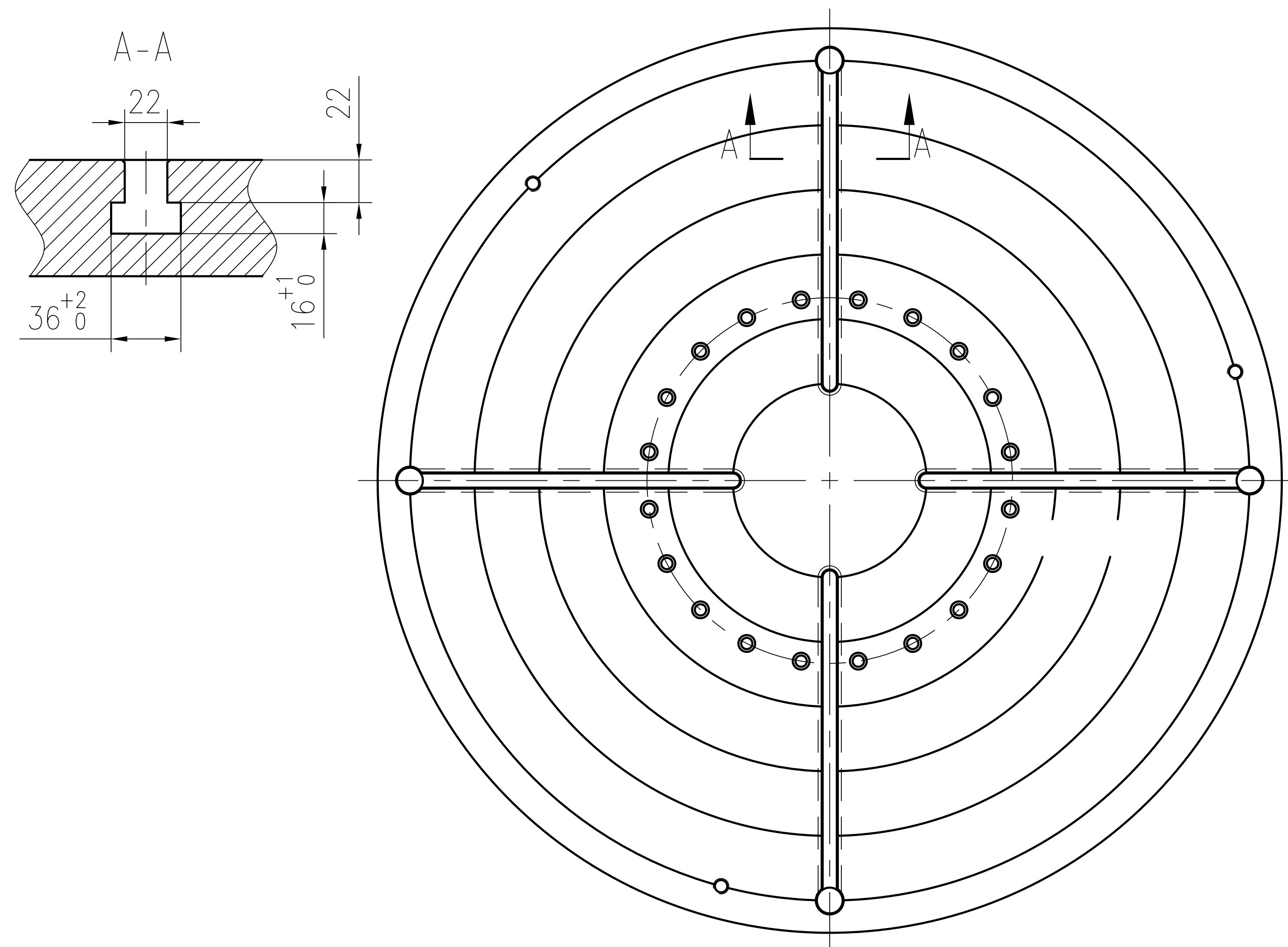
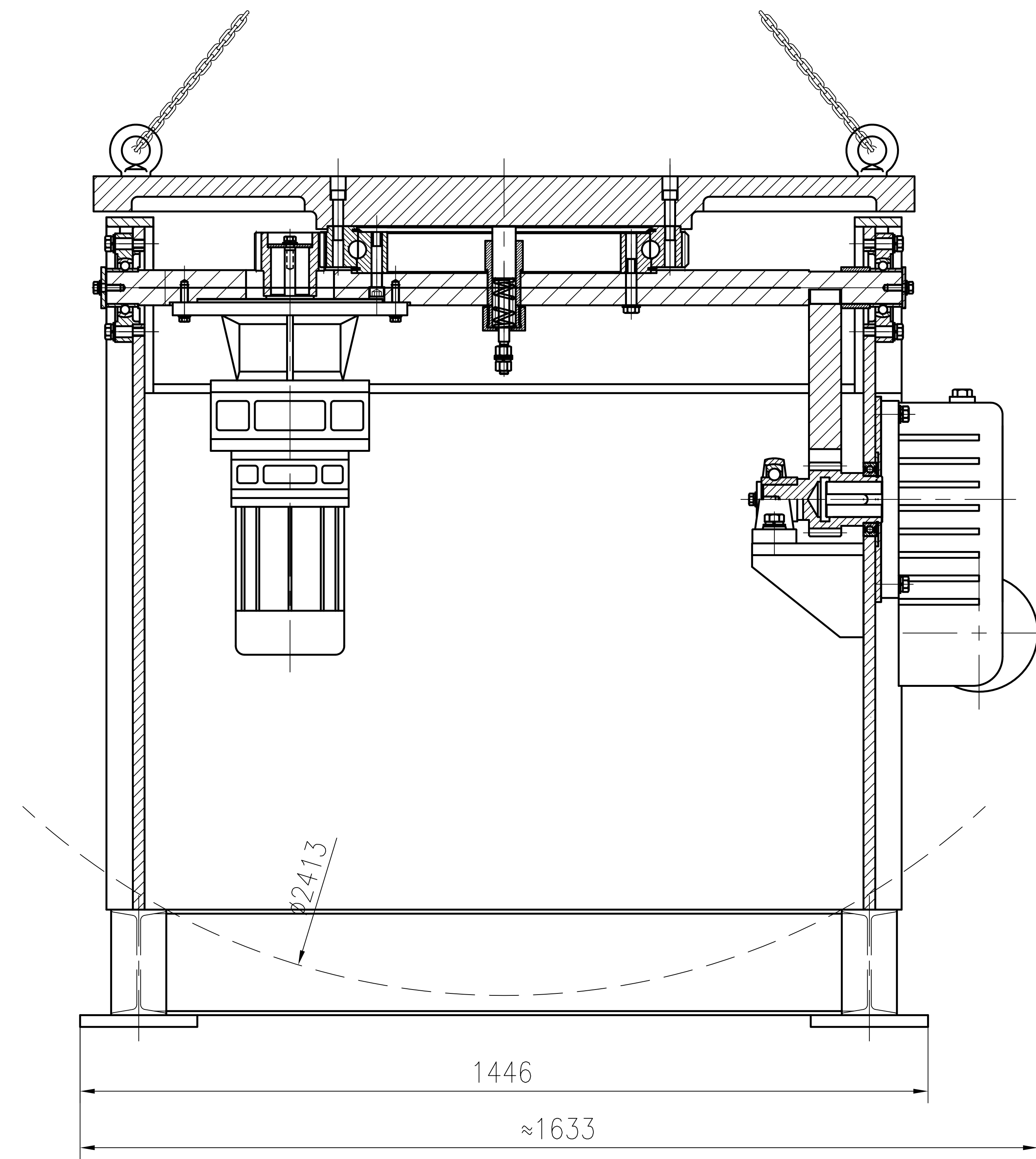
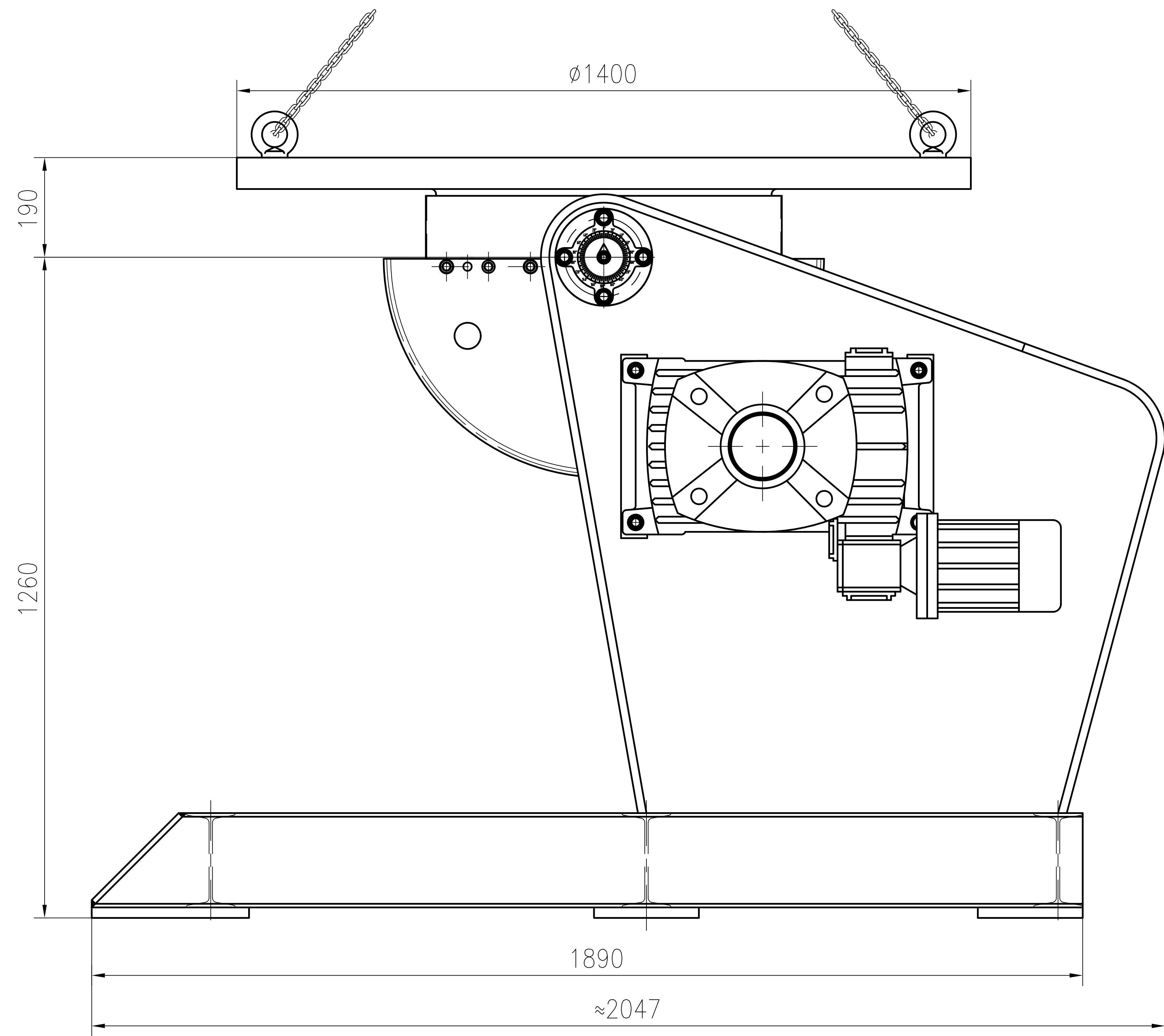
Load curve



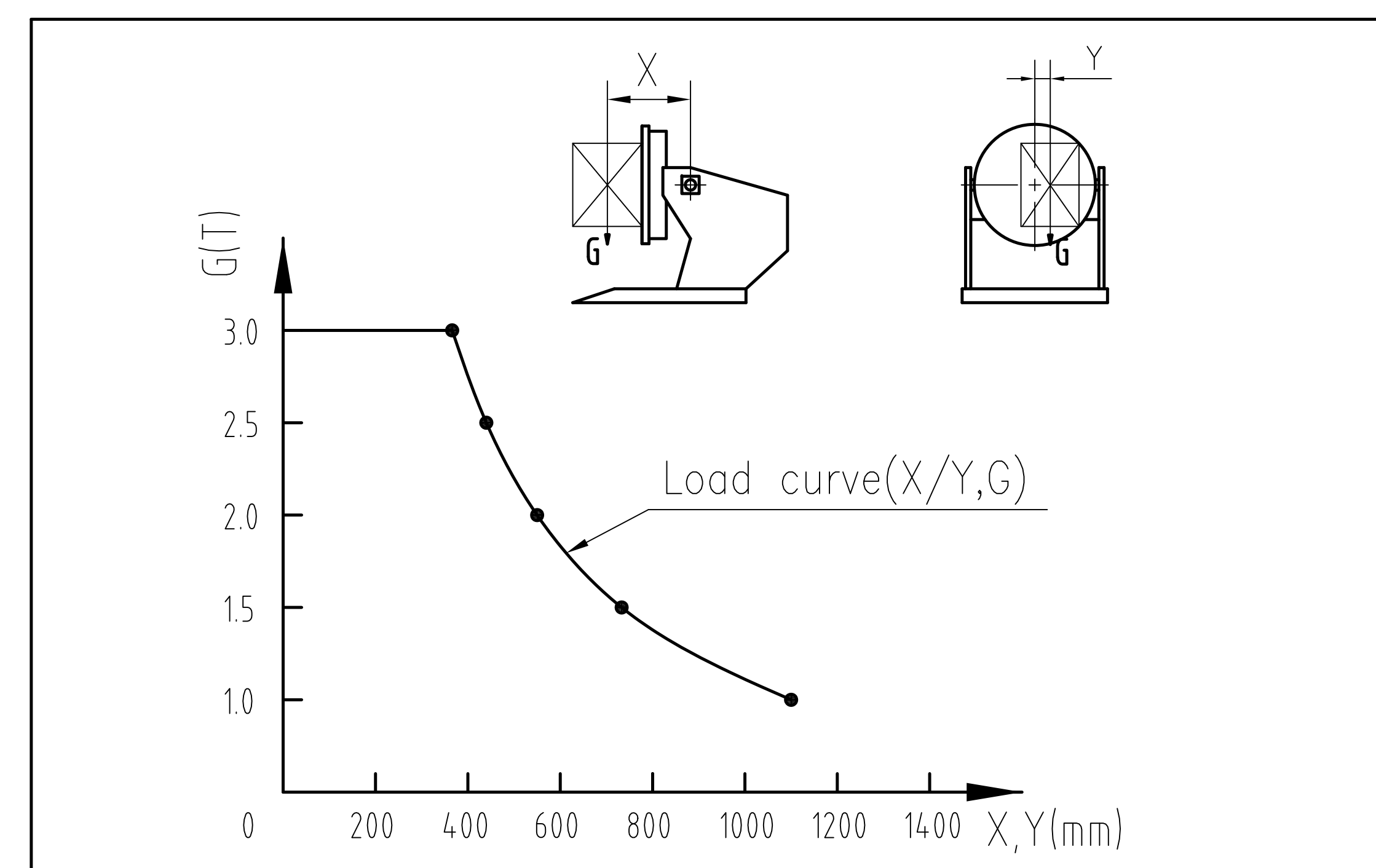
Main technical parameter		
No	Description	Parameter
1	Model	HB-20
2	Max loading	2000kg
3	Rotation speed	0.08-0.8rpm
4	Adjust speed mode	VFD
5	Rotation torque	5600N.m
6	Rotation motor	0.75Kw
7	Tilting speed	0.33rpm
8	Tilting torque	5600 N.m
9	Tilting angle	100°~ -20°
10	Tilting motor	0.75Kw
11	Conductivity	1000A
12	Voltage	According as client
13	Color	According as client

Assembly drawing						HB-20 positioner	
Mark	Qty	Code	Sign	Date	Mark	Weight	Ratio
Designer			Standard				1:8
Checker			Date		Total	Page	
Technology							

HB-20

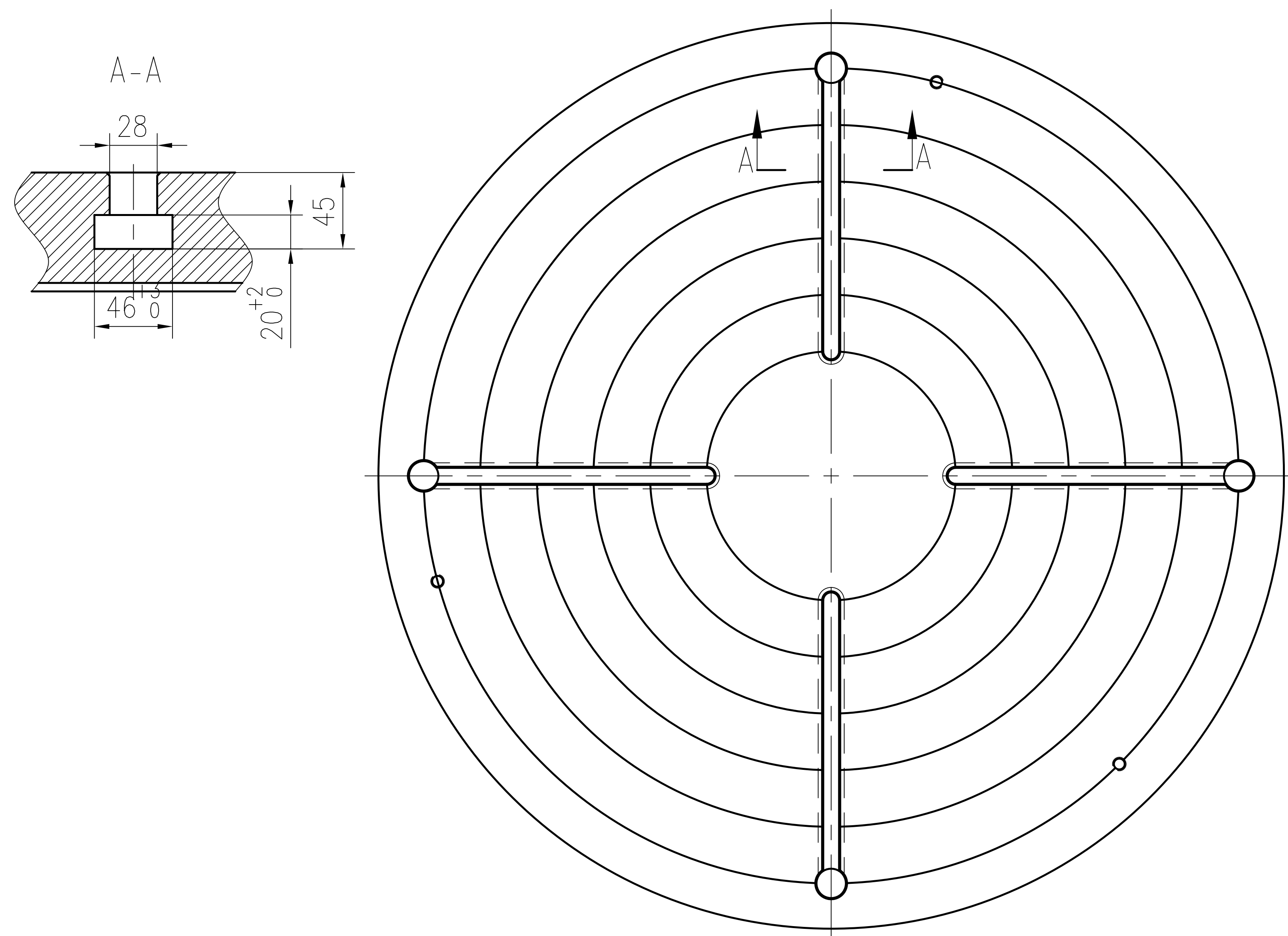
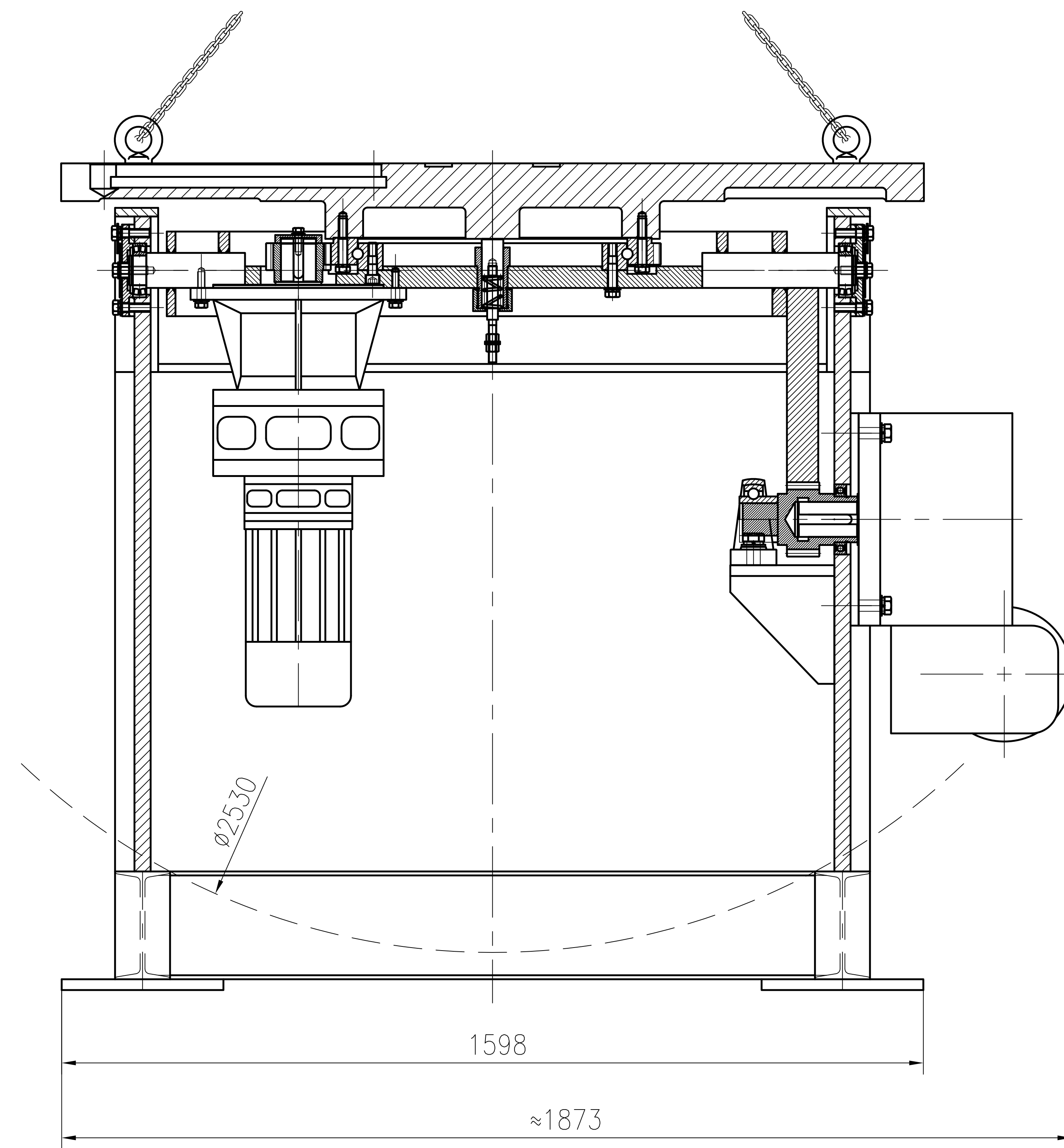
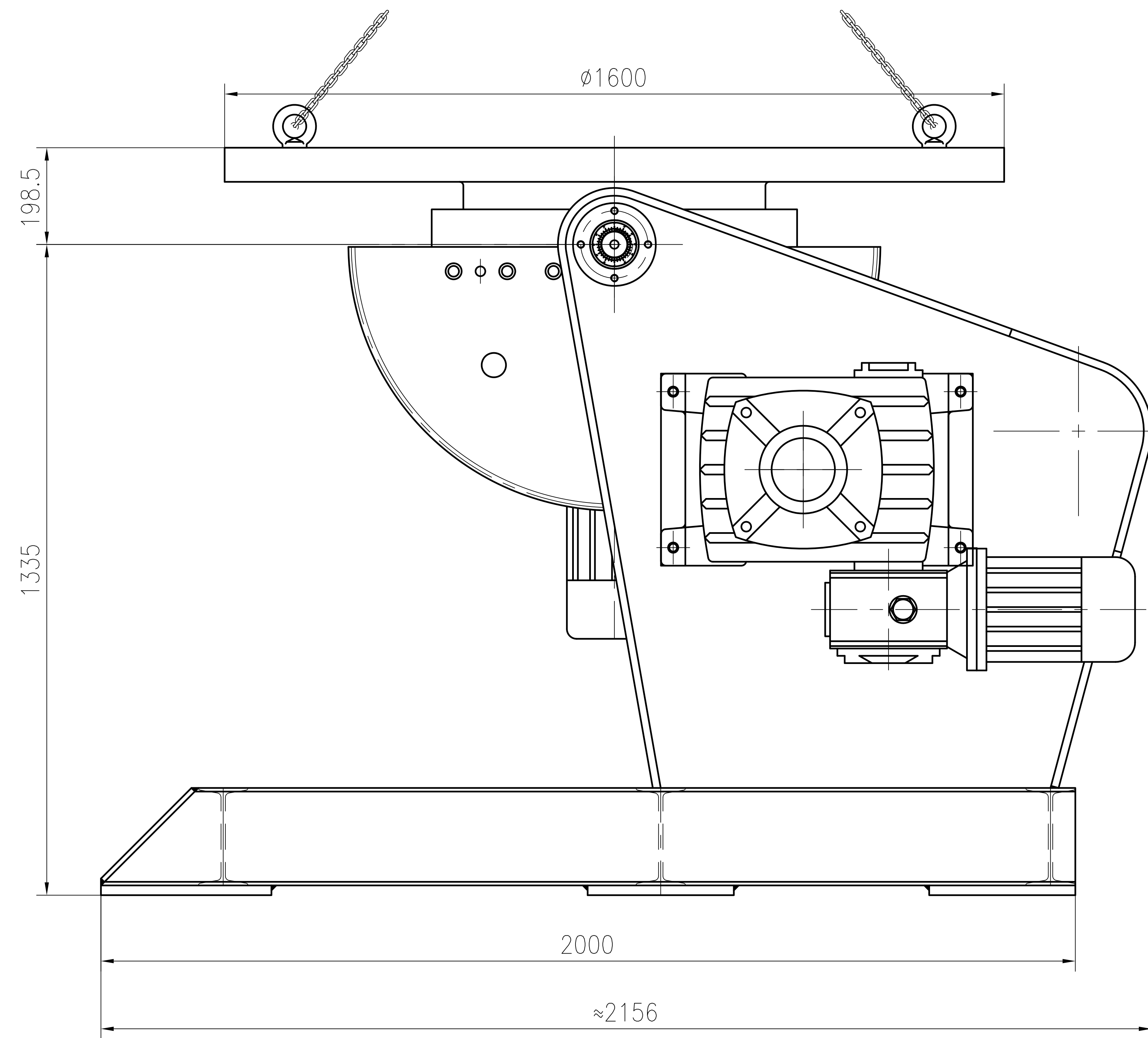


Load curve

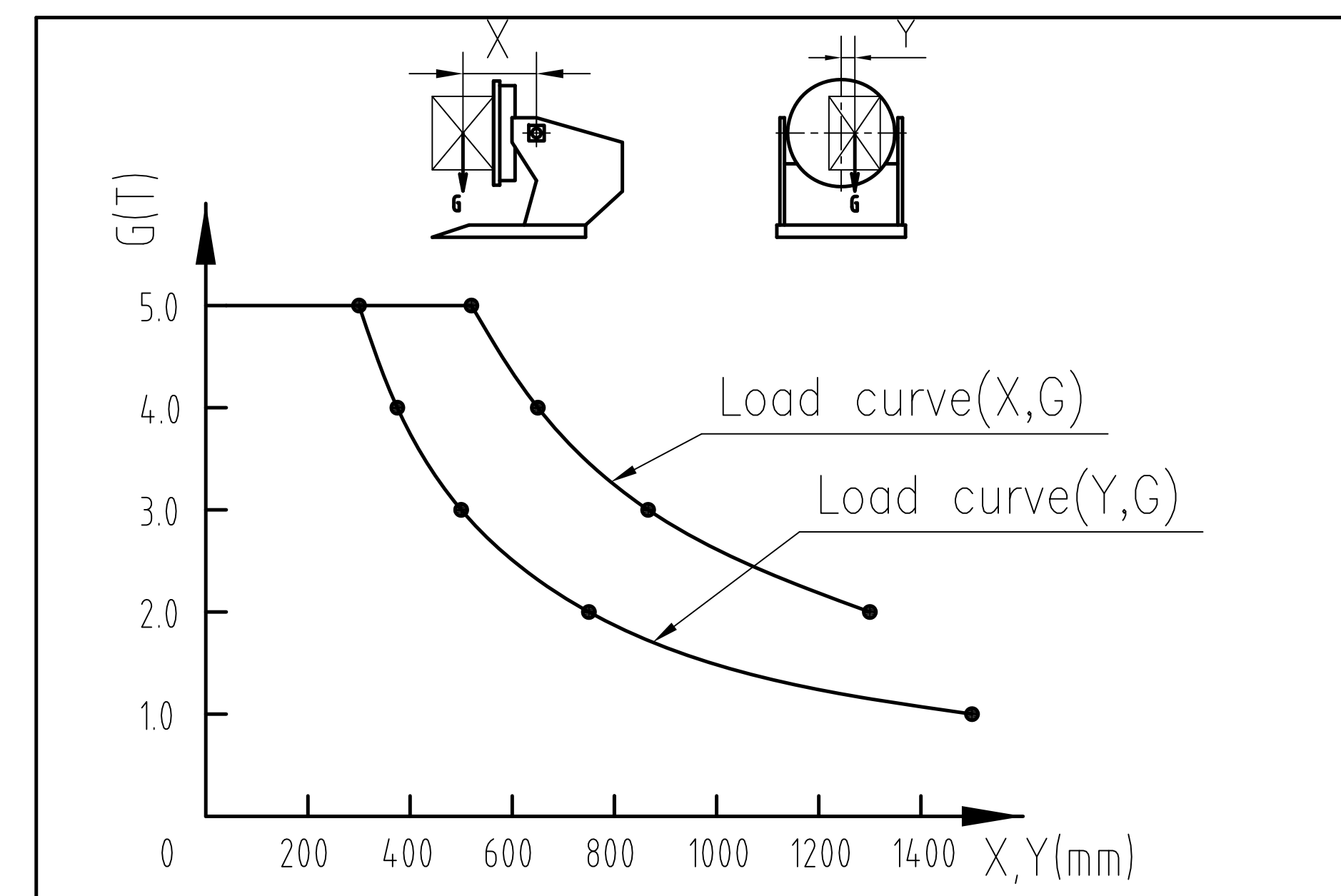


Main technical parameter		
No	Description	Parameter
1	Model	HB-30
2	Max loading	3000kg
3	Rotation speed	0.07-0.7rpm
4	Adjust speed mode	VFD
5	Rotation torque	11000N.m
6	Rotation motor	1.1Kw
7	Tilting speed	0.39rpm
8	Tilting torque	11000N.m
9	Tilting angle	100°~ -20°
10	Tilting motor	1.5Kw
11	Conductivity	1000A
12	Voltage	According as client
13	Color	According as client

				Assembly drawing				
Mark	Qty	Code	Sign	Date	Mark	Weight	Ratio	HB-30 positioner
Designer			Standard				1:10	
Checker			Date		Total	Page		HB-30
Technology								



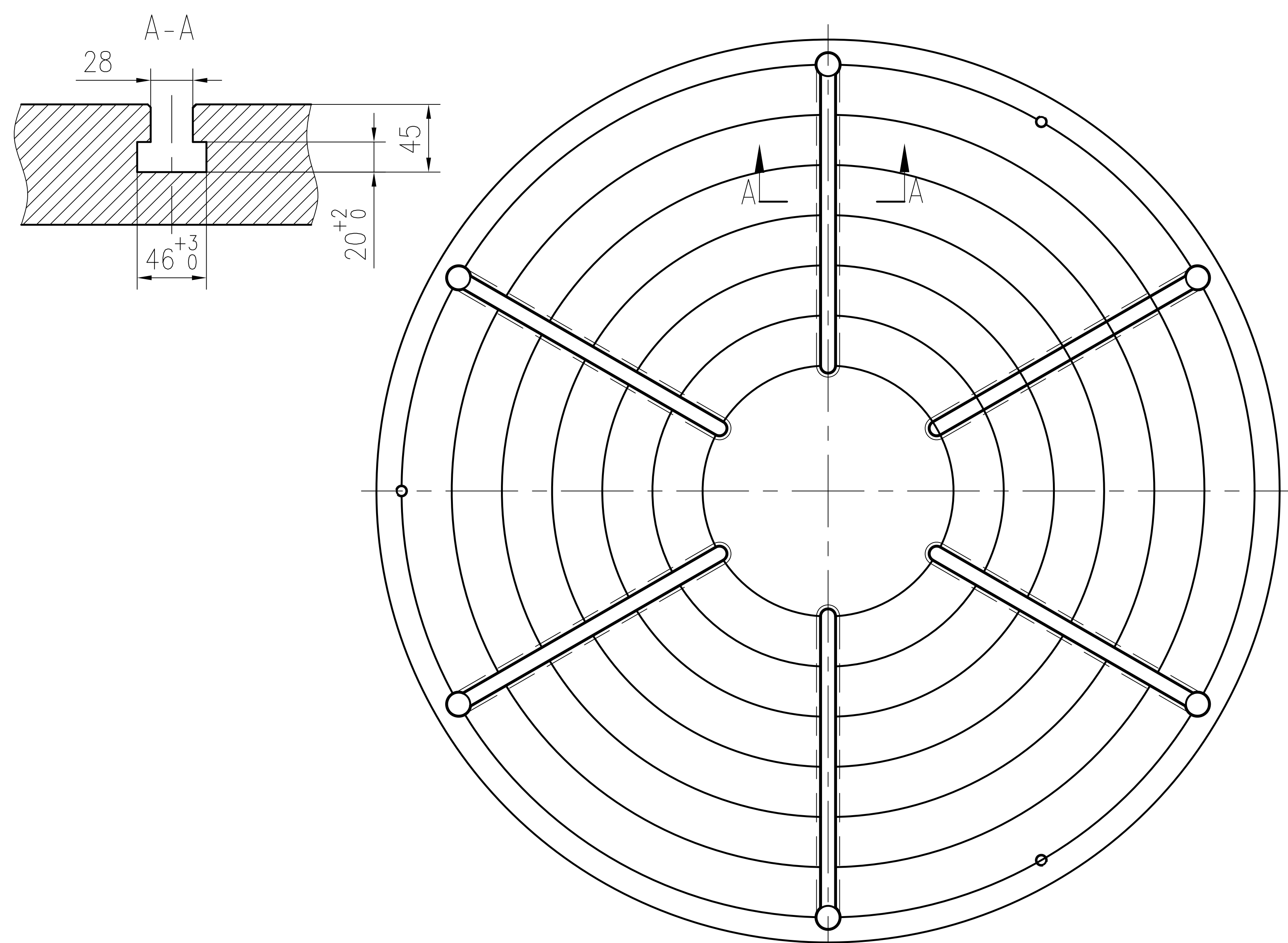
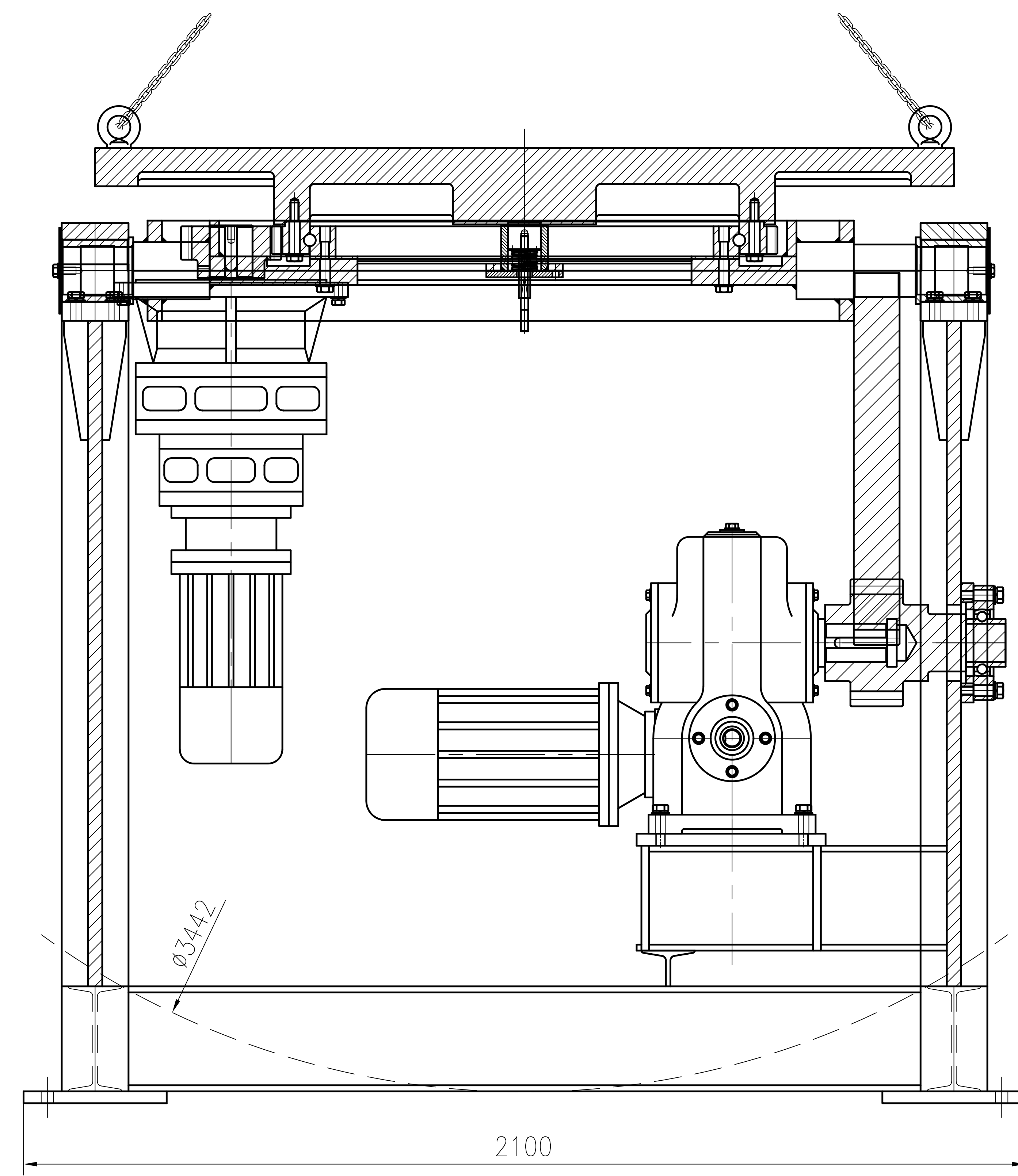
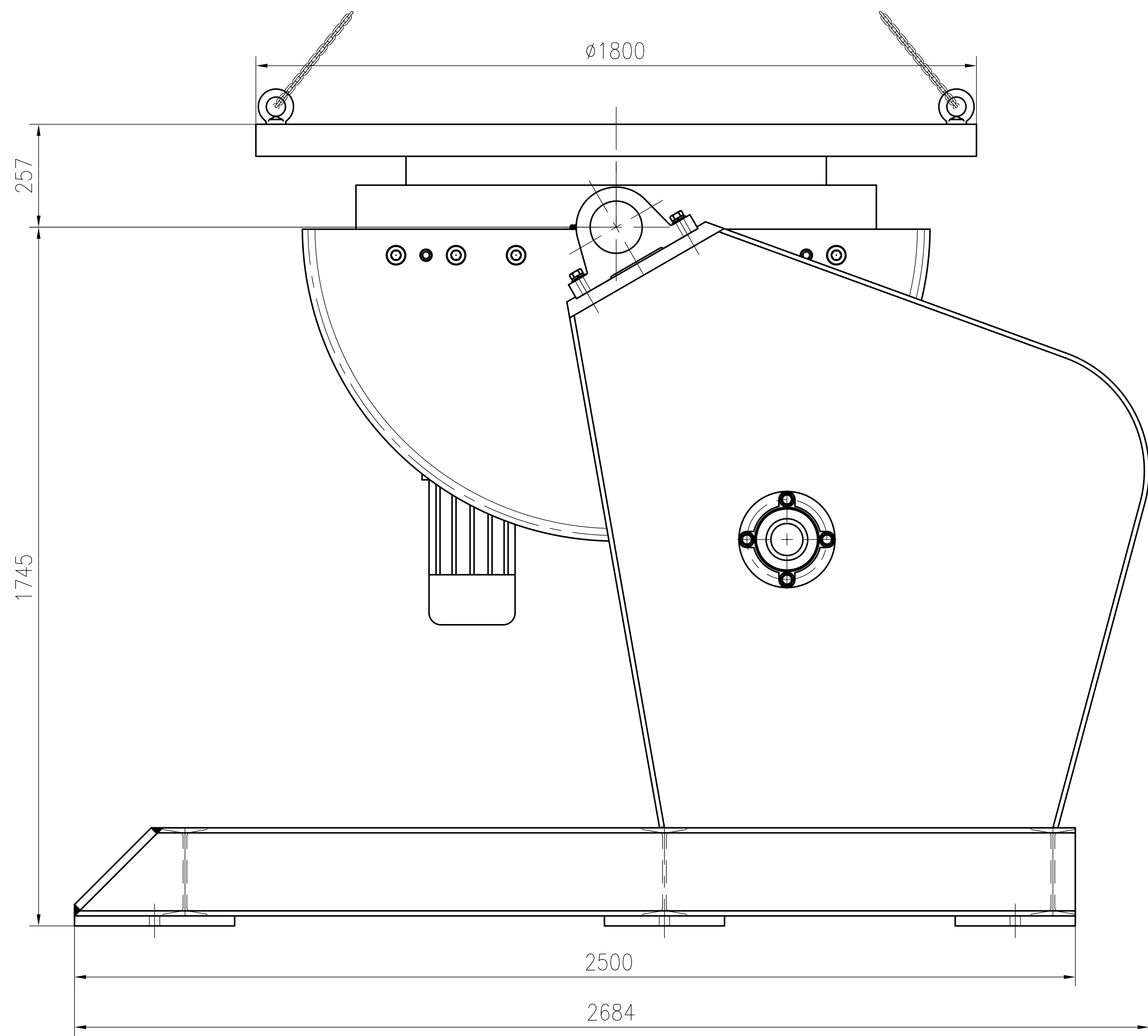
Load curve



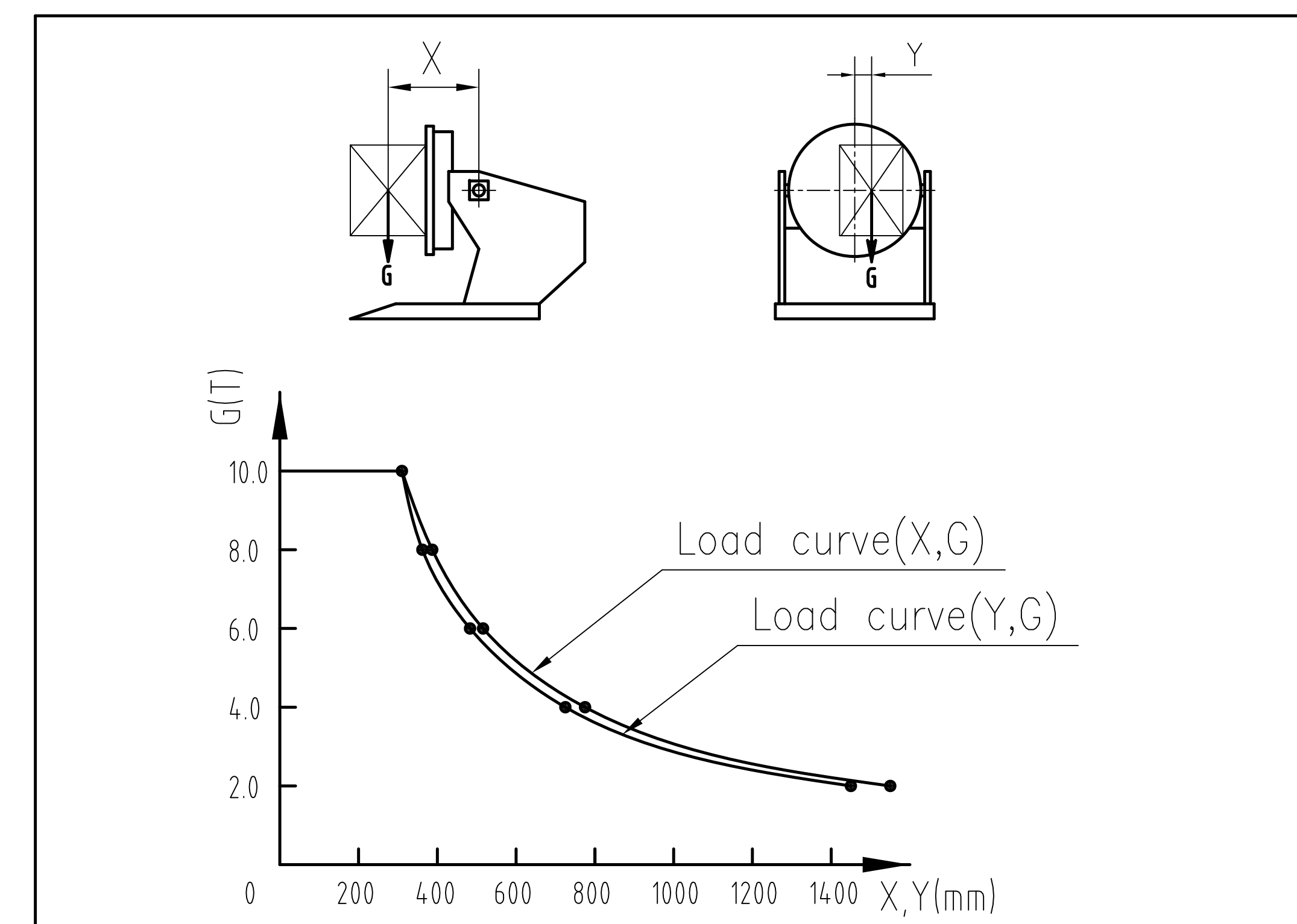
Main technical parameter		
No	Description	Parameter
1	Model	HB-50
2	Max loading	5000kg
3	Rotation speed	0.05-0.5rpm
4	Adjust speed mode	VFD
5	Rotation torque	15000N.m
6	Rotation motor	1.1kw
7	Tilting speed	0.33rpm
8	Tilting torque	26000N.m
9	Tilting angle	100°~20°
10	Tilting motor	3Kw
11	Conductivity	1000A
12	Voltage	According as client
13	Color	According as client

Mark	Qty	Code	Sign	Date	Assembly drawing		
Designer			Standard		Pattern mark	Weight	Scale
Inspector							1:10.5
Process			Date		Total		

HB-50 positioner
HB-50



Load curve



Main technical parameter		
No	Name	Parameter
1	Model	HB-100
2	Max loading	10000kg
3	Rotation speed	0.05-0.5rpm
4	Adjust speed mode	VFD
5	Rotation torque	25000N.m
6	Rotation power	2.2Kw
7	Overturn speed	0.23rpm
8	Overturn torque	40000N.m
9	Tilting angle	100°~-20°
10	Overturn power	5.5Kw
11	Conductivity	1000A
12	Voltage	According as client
13	Color	According as client

Assembly drawing						HB-100 positioner		
Mark	Qty	Code	Sign	Date	Mark	Weight	Ratio	1:11.5
Designer		Standard						
Checker		Date			Total	Page		HB-100