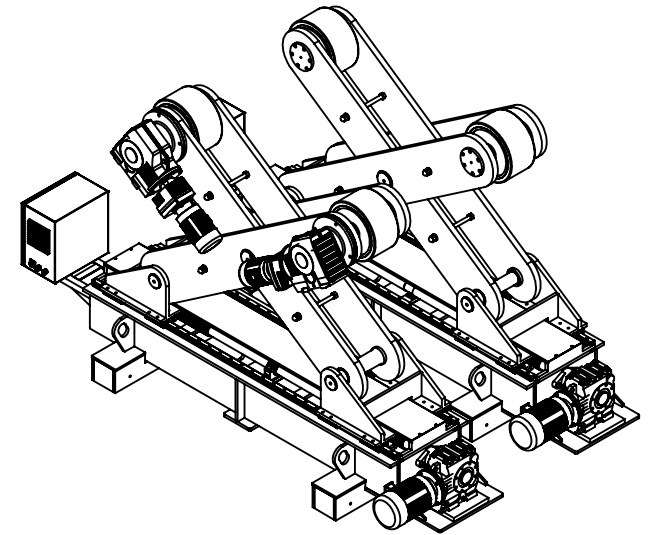
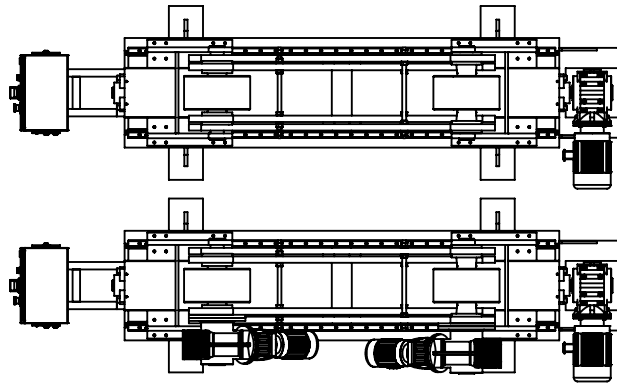
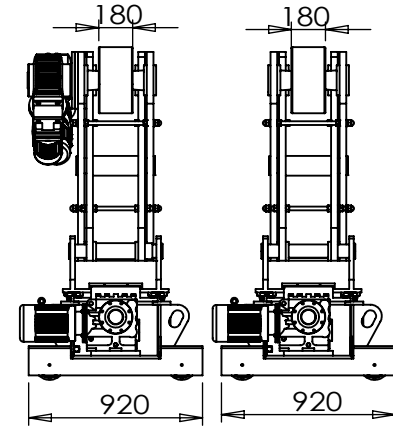
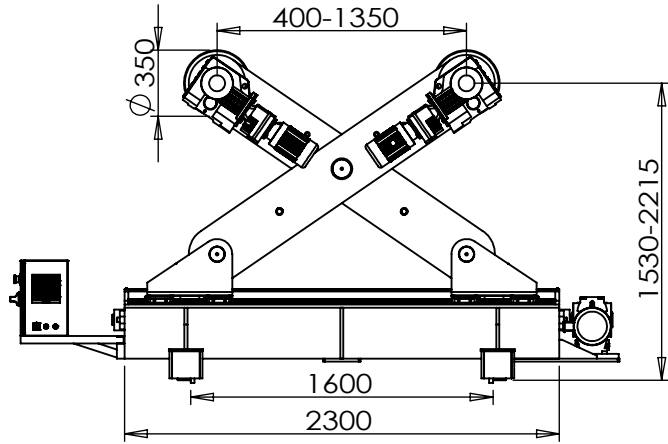


LOADING CAPACITY	5T
CONFIG	1 POWER + 1 IDLER
WORKPIECE DIAMETER	Ø 80-1500mm
CENTER DISTANCE	270-750mm
CENTER HEIGHT	800-1160mm
ROLLER SIZE	Ø 250 X 120mm
RAILS INNER DISTANCE	700mm
ROLLER MOTOR POWER	180W
ROLLING SPEED	100-1000mm/min (VFD)
ELEVATING ADJUSTING	MOTORIZED
ELEVATING MOTOR POWER	180W
TRAVELING BOGIES	MANUAL
CONTROL MODEL	SEPARATLY/ LINKAGE

	NAME	DATE			
DRAWN			HGK-X5 ELEVATING ROTATOR		
CHECKED					
ENG APPR.					
MFG APPR.					
Q.A.					
COMMENTS:			SIZE <b>A</b>	DWG. NO. <b>HGK-X5-00</b>	REV.
			SCALE:1:50	WEIGHT:	SHEET 1 OF 1



LOADING CAPACITY	20T
CONFIG	1 POWER + 1 IDLER
WORKPIECE DIAMETER	Ø 400-3000mm
CENTER DISTANCE	270-750mm
CENTER HEIGHT	400-1350mm
ROLLER SIZE	Ø 350 X 180mm
RAILS INNER DISTANCE	1600mm
ROLLER MOTOR POWER	2*0.37kW
ROLLING SPEED	100-1000mm/min (VFD)
ELEVATING ADJUSTING	MOTORIZED
ELEVATING MOTION LEAD SCREW MOTOR POWER	2*1.5kW
TRAVELING BOGIES	MANUAL
CONTROL MODEL	SEPARATLY/ LINKAGE

	NAME	DATE		
DRAWN		2022-12		
CHECKED				
ENG APPR.				
MFG APPR.				
Q.A.				
COMMENTS:			HGK-X20 ELEVATING ROTATOR	
22ART1221				
SIZE	DWG. NO.		REV.	
A	HGK-X20-00			
SCALE:1:50	WEIGHT:		SHEET 1 OF 1	