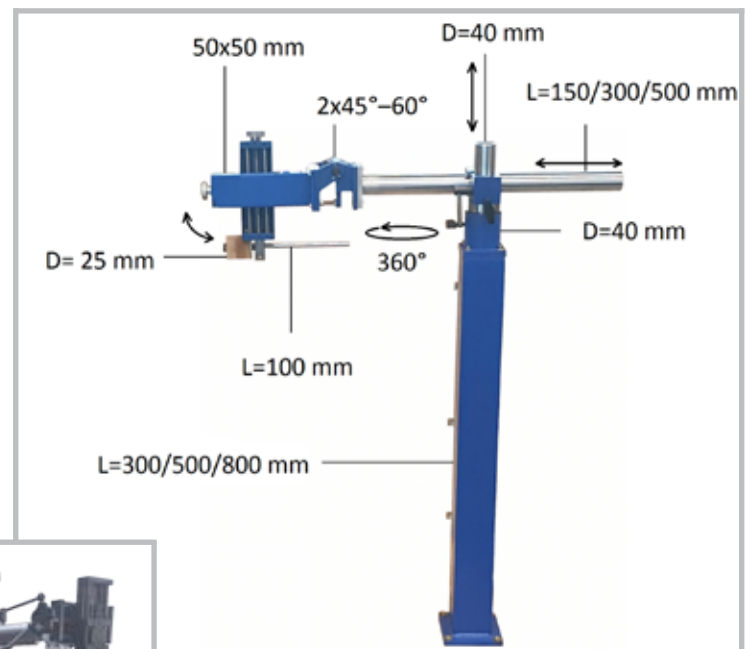


Torch Stands

Our Torch Stands can be used in combination with Welding Positioners and Roller Beds. In this way, the welding process is optimized so that a consistent quality is guaranteed.

To improve stability, the base of the stand can be mounted on different surfaces. The precise adjustment of the welding torch is done manually.



FEATURES and BENEFITS

- Versatile alignment possibilities of the welding torch
- Movable cross slide
- Folding hinge
- Adjustable linear and rotary axes
- Torch holder

The technical details are specified according to customer requirements. We advise you to meet your needs.